

Haier

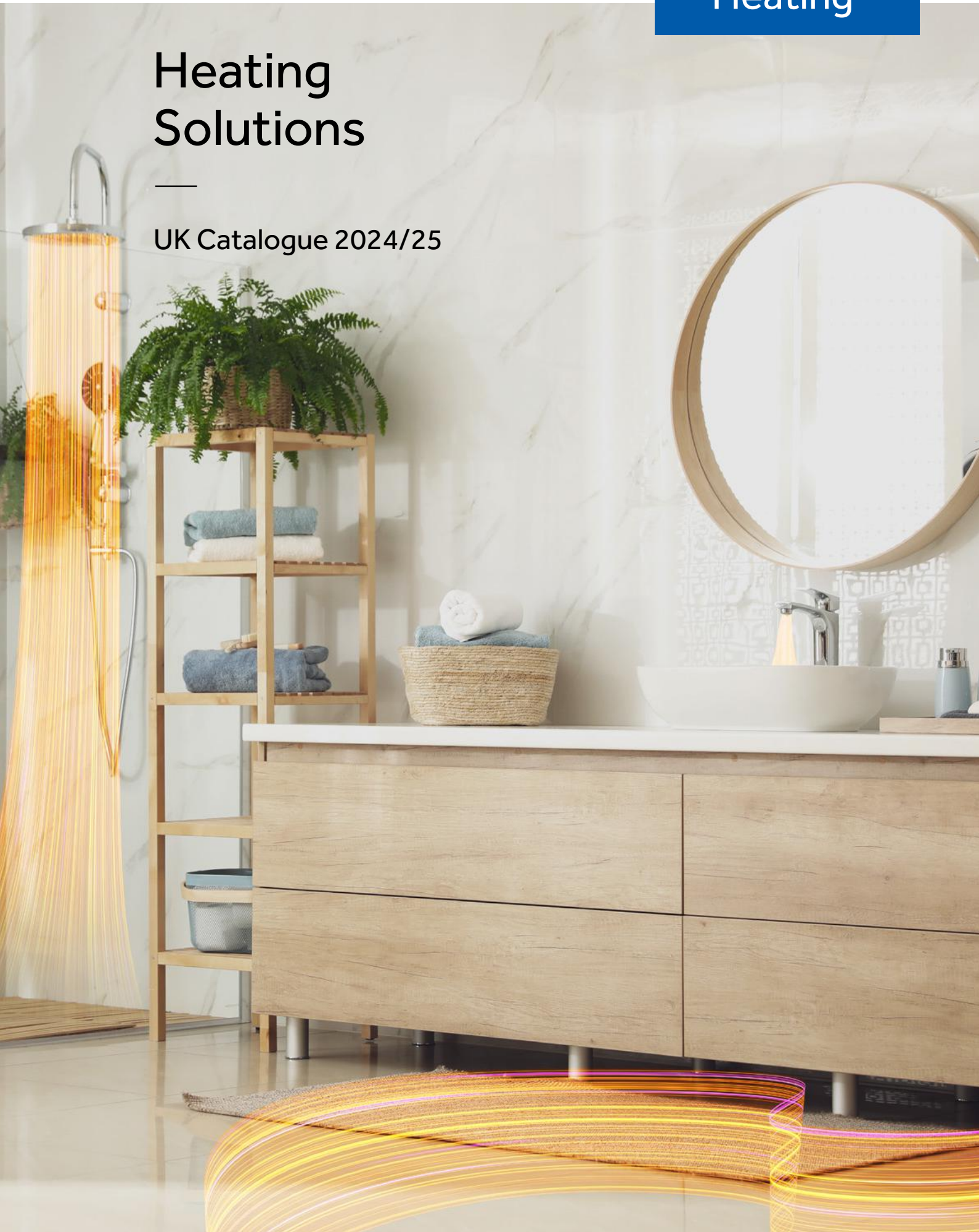
More Creation, More Possibilities

Haier

Heating

Heating Solutions

UK Catalogue 2024/25



Haier BRAND STORY

Today, in the diverse and unconventional age of the Internet, "one size fits all" products and solutions are not enough to satisfy the customer. Customers want to be treated as autonomous individuals and respected for who they are.

Everyone wants their unique lifestyle acknowledged. That is why we listen carefully to our customers in order to gain a genuine understanding of their lifestyle and requirements. Each of us deserves to live an extraordinary smart home experience, which can be simple, sophisticated, organised and enjoyable.

As a global leader, Haier, in addition to innovating its products and solutions, transforms its organisation into a connected platform. In doing so, internal and external resources are connected quickly and easily. We believe only by doing so, we can best meet our customers' expectations in this rapidly evolving world.

Join the Haier network. Create new possibilities.



CONTENTS



This warranty includes parts only.
For further details and requirement,
please contact your Haier partner

01 INTRODUCTION & HISTORY 2

02 AIR TO WATER HEAT PUMPS INTRODUCTION 10

03 R290 A2W HEAT PUMP RANGE 22

MONOBLOC GT R290 - **NEW** 24

HYDRO SPLIT R290 - **NEW** 28

04 R32 A2W HEAT PUMP RANGE 32

MONOBLOC HE 34

SPLIT HE 38

05 HEAT PUMP WATER HEATER INTRODUCTION 40

06 R290 HEAT PUMP WATER HEATER 52

M8 R290 - **NEW** 54

M7 R290 - **NEW** 56

M8 + M7 INSTALLATION GUIDE 58

08 CONNECTIONS 60

07 CONTROL PANELS 61

Haier GLOBAL POSITION



WORLD'S NO.1 MAJOR APPLIANCES BRAND

Haier has been accredited with global No.1 in major household appliances by retail sales from 2008-2023, according to data from Euromonitor.



WORLD'S NO.1 SMART AC BRAND

Haier has been world's No.1 connected air conditioner brand, by retail sales in 2023, according to data from Euromonitor.



"ESG" INTERNATIONAL AWARDS

2021 ESG award 2021 BDO Environmental, Social and Governance Reporting Awards.



FORTUNE'S MOST ADMIRABLE COMPANIES

Haier Smart Home was named one of Fortune's most admired companies in the world for 2019 and is the only appliance company from Asia to receive this award.



TOP 100 MOST VALUABLE BRANDS

Haier, the world's only IoT ecosystem brand on the list for four consecutive years.



TOP 100 GLOBAL CHALLENGERS

In 2021, with the global landing of the Smart Home ecosystem brand, Haier Smart Home was once again listed on the Fortune Global 500.

GLOBAL NETWORK

Haier currently has 10+ R&D centres, 29 industrial parks, 122 manufacturing centres and 108 marketing centres around the world, reaching out to more than 200 countries and regions and serving 1 billion user households.

Haier has 7 major home appliance brands worldwide: Haier, Casarte, Leader, AQUA, Fisher & Paykel, GE Appliances and Candy.

Each of these brands offers the best user experience to various consumer groups in many regions and countries around the world.



R&D CENTER



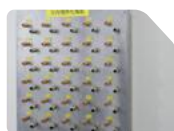
Evaluation of comfort



Rain simulation



Performance testing



Safety testing



Noise testing



Electromagnetic compatibility testing



Snow simulation



Sun simulation



Reliability testing



Humidity control test



Double 85 test



Drop test

The data in this catalogue is purely indicative as the data may vary. Please be advised to check the accuracy of the data with the supplier before purchasing products.

Haier HVAC IN EUROPE

Haier is a global leading provider of smart and comfort solutions with an ambition to continuously deliver unique and advance technologies, superior design and tailor-made experiences when it comes to the environment you're in and the air you breath. We have truly increased our presence in Europe as a trustworthy brand with a premium product offering, a growing network of distributors, post-sale service and 6-year warranty.

Haier Group was established in 1984 in Qingdao by Zhang Ruimin who has centred the business around the RenDanHeYi philosophy. The well-respected model, developed and implemented by Mr. Ruimin, is revolutionary as no other company operates in this way. RenDanHeYi puts the needs of the user first, with the model's core component being "zero distance" to the customers. At Haier are empowered to provide outstanding commitment and value to our partners and end customers, keeping them at the forefront at all times.

We have since gone from strength to strength, by continuously striving for the best in class and working towards developing premium products for Global markets with IoT at the heart of our R&D and product development. We have been on the list of BrandZ

Top 100 Most Valuable Global Brands for four consecutive years as the world's first and only IoT ecosystem brand. Haier has also topped Global Major Appliances Brand Rankings by Euromonitor International for 15 consecutive years.

Haier's European HVAC operations has been active for over 30 years where we are fully supported by some of the most talented and dedicated partners and teams across Europe including, Italy, Spain, Portugal, UK, France, Central Europe and Germany. These markets carry a wide range of products which includes, Residential & Light Commercial solutions as well as Large Commercial and Heating Solutions, giving us a truly diverse offering to suit various applications from residential to larger Hotels and Retail applications.

Our total production capacity is over 27 million sets per year, supported by 16 Air Conditioning factories with 8 of them being in overseas markets. This outstanding capacity enables us to continually strive to lead the market in delivering Smart and Healthy solutions across Europe.



HVAC EUROPEAN TRAINING HUB

In 2022 Haier celebrated the opening of its new HVAC European training centre in Barcelona. The new Training Hub can facilitate a range of training programmes which is tailored to the needs of our professional network including installers and consultants. So far we the Hub has welcomed close to 3000 visitors who have all be able to get close to the brand and solutions we have on offer.

The facilities are fully operational with 3 dedicated rooms, which includes products from our entire portfolio from Residential, Heating and Commercial solutions, giving visitors a truly hands on experience.

We look forward to welcoming our Distributors, Installers and Designers to come and experience Haier's HVAC Solutions first-hand.

Follow us on LinkedIn to keep up to date about upcoming events and products



R290

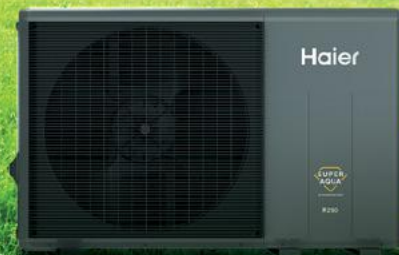
NEW 2024

More Friendly To Nature

R290 with zero Ozone Depletion Potential and Low Global Warming Potential is Eco & Ozone-friendly, which reduces the harmful effects of the planet.



Monobloc
4kW~16kW



Hydro Split
4kW~16kW

Thanks to the excellent thermodynamic performance of R290 and advanced heat pump technology, the new Haier R290 high temperature series helps to reduce carbon emissions and achieve carbon neutrality goals.



Ultimate Comfort



High Efficiency

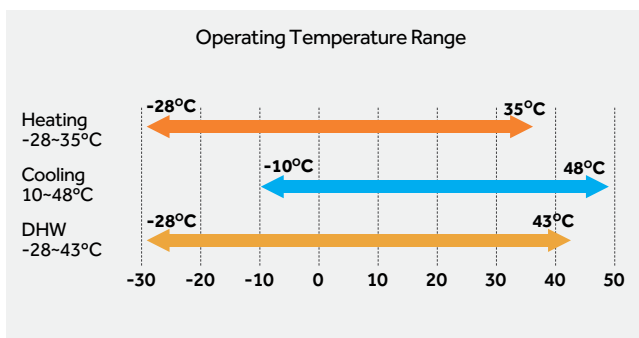


High Reliability

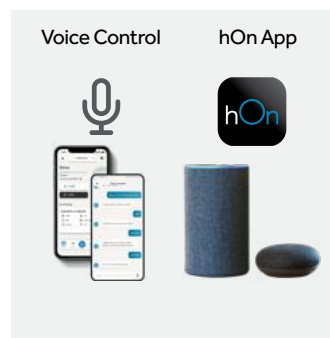


Super Convenience

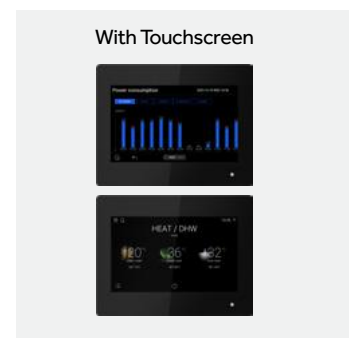
WIDE TEMPERATURE RANGE



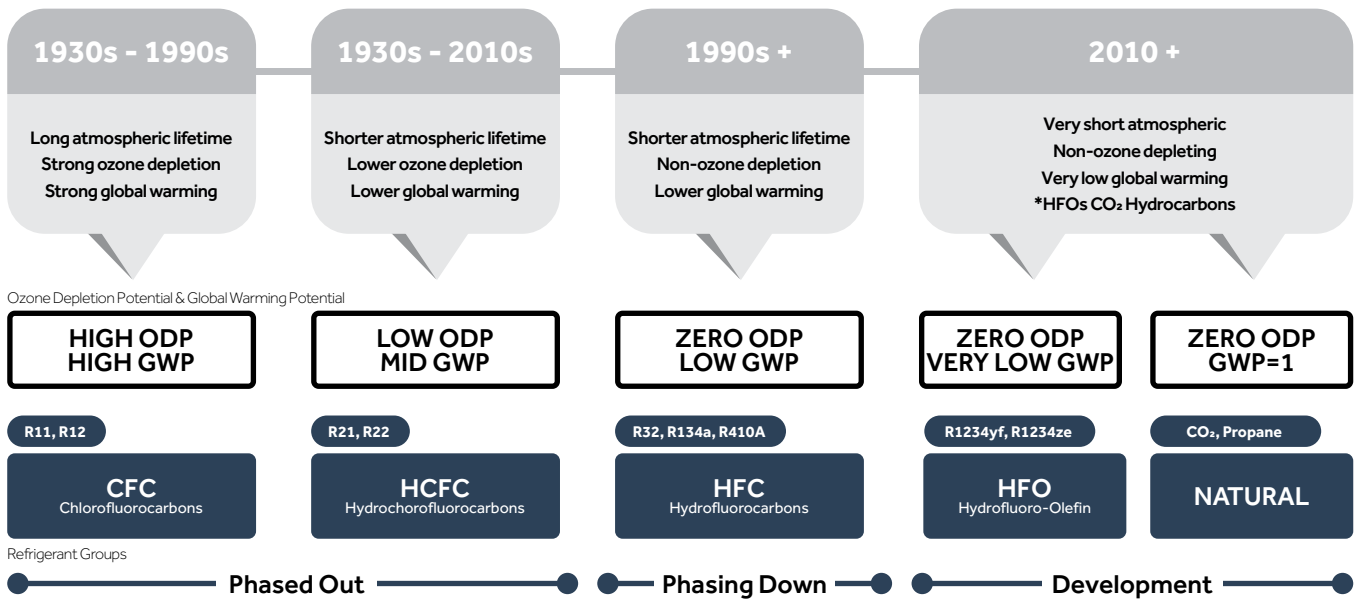
SMART OPERATION



ENERGY MONITORING

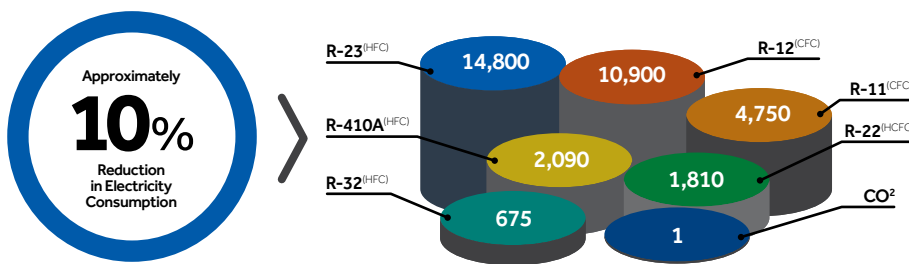


TRANSITION TOWARDS LOWER GWP REFRIGERANTS

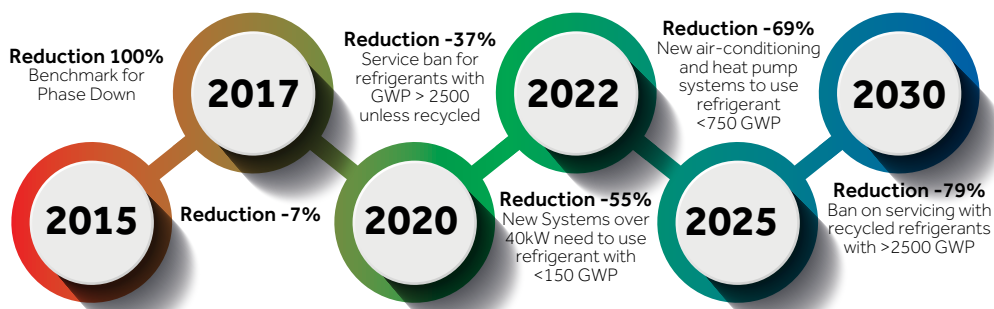
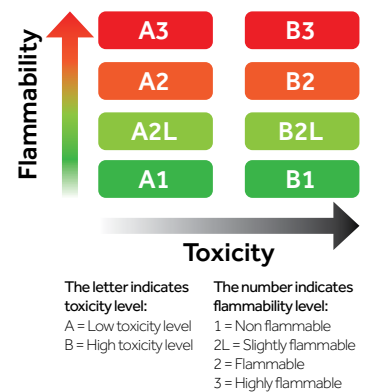


100 YEAR GLOBAL WARMING POTENTIAL OF DIFFERENT REFRIGERANTS*

Source: Values for 100 Global warming potential (GWP) from IPCC Fourth Assessment Report. Comparative 100 year GWP: HFC410A, 2,090; HFC32, 675*



SAFETY GROUP



R290 Refrigerant type: Natural GWP: 3 Safety Group: A3	R744 (CO ₂) Refrigerant type: Natural GWP: 1 Safety Group: A1
R717 (Ammonia) Refrigerant type: Natural GWP: 0 Safety Group: B2L	R32 Refrigerant type: HFC GWP: 675 Safety Group: A2L
R410A Refrigerant type: HFC GWP: 2090 Safety Group: A1	

A2W HEAT PUMP RANGE







WHAT IS AN AIR TO WATER HEAT PUMP?

An air source heat pump also known as an Air-To-Water Heat Pump transfers heat from the outside air to water. This in turn heats the space via radiators or underfloor heating. It can also heat water stored in a hot water cylinder for hot water taps, baths and showers.

The Haier Air to Water Heat Pump range uses free renewable energy from the outside air as a heat source for space heating and providing domestic hot water. This energy efficient and environmentally friendly solution substantially reduces energy consumption, running cost and CO₂ emissions in heating compared to conventional oil and gas boilers.

The system draws energy from the outside air to create a high efficiency solution for your needs, with efficiencies of over 3:1 for power input

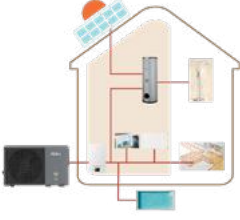
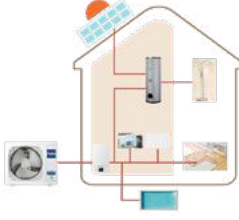
How does an air source heat pump work?

Heat from the air is absorbed into a fluid. This fluid then passes through a heat exchanger into the heat pump, which raises the temperature and then transfers that heat to water.

A2W MODEL LINEUP

TYPE	R290				R32		
UNITS	NEW  MONOBLOC GT		NEW  HYDRO SPLIT GT		 SPLIT HE	NEW  MONOBLOCHE	
	PHASES	Phase 1	Phase 3	Phase 1	Phase 3	Phase 1	Phase 1
4kW	 AW042MUGHA		 AW042HUGHA HU102WAHYA		 AW042SSCHA HU062WAMNA		
5/6kW	 AW062MUGHA		 AW062HUGHA HU102WAHYA		 AW062SSCHA HU062WAMNA	 AW052MUCHA	
7/8kW	 AW082MUGHA		 AW082HUGHA HU102WAHYA		 AW082SNCHA HU102WAMNA	 AW072MUCHA	
9/10kW	 AW102MUGHA	 AW10NMUGHA	 AW102HUGHA HU102WAHYA	 AW10NHUGHA HU10NWAHYAE3	 AW102SNCHA HU102WAMNA	 AW092MUCHA	
11/12kW	 AW122MXGHA	 AW12NMXGHA	 AW122HVGHA HU162WAHYA	 AW12NHVGHA HU16NWAHYAE3		 AW112MXCHA	 AW11NMXCHA
14kW	 AW142MXGHA	 AW14NMXGHA	 AW142HVGHA HU162WAHYA	 AW14NHVGHA HU16NWAHYAE3		 AW142MXCHA	 AW14NMXCHA
15/16kW	 AW162MXGHA	 AW16NMXGHA	 AW162HVGHA HU162WAHYA	 AW16NHVGHA HU16NWAHYAE3		 AW162MXCHA	 AW16NMXCHA

MONOBLOC		
Type	R290 A2W GT Series	R32 A2W
Advantages	Water connection indoor to outdoor	
Max. leaving water temperature (°C)	80	60
HIGH EFFICIENCY		
Refrigerant (GWP)	R290 (3)	R32 (675)
Energy Class at 35°C/7°C	A+++	A+++
Energy Class at 55°C/7°C	A+++	A++
Min. Ambient Temp. at Heating (°C)	-25	-25
Sound Power dB	55	60
ULTIMATE COMFORT		
2 Zone Control	●	●
Fast DHW	●	●
Quiet Mode	●	●
Turbo Mode	●	●
Climate Curve	●	●
Sterilisation	●	●
Auto Mode	●	●
HIGH RELIABILITY		
Floor Drying	●	●
Anti-Freezing	●	●
Anti-rust and Corrosion of Water Pump	●	●
INTELLIGENCE		
Smart Grid	●	●
Modbus	●	●
Energy Monitoring	●	
WiFi	hOn integrated	Optional
Holiday Mode	●	●
Scheduling Programs	●	●
DHW Tank Solar Thermal Control	●	●
Auxiliary Heating Source	●	●
Pool Heating	●	●
Bivalence Control	●	●
Cascade Control	●	●
SUPER CONVENIENCE		
Selection Software	Yes	No
Standardised indoor to outdoor wiring	Yes (P+Q)	No
SD Card Slot	Yes	No
Error History	●	●
Parameters Check	●	●

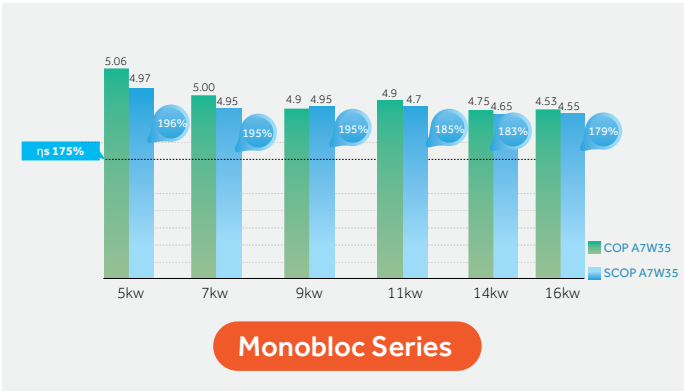
	HYDRO SPLIT	SPLIT
Type	R290 A2W GT Series 	R32 A2W 
Advantages	Heat exchange is in the outdoor unit. Water connection indoor to outdoor	Refrigerant connection between indoor and outdoor
Max. Leaving Water Temperature (°C)	80	60
Refrigerant (GWP)	R290 (3)	R32 (675)
Energy Class at 35°C/7°C	A+++	A+++
Energy Class at 55°C/7°C	A+++	A++
Min. Ambient Temp. at Heating (°C)	-25	-25
Sound Power dB	55	58
2 Zone Control	●	●
Fast DHW	●	●
Quiet Mode	●	●
Turbo Mode	●	●
Climate Curve	●	●
Sterilisation	●	●
Auto Mode	●	●
Floor Drying	●	●
Anti-Freezing	●	●
Anti-rust and Corrosion of Water Pump	●	●
Smart Grid	●	●
Modbus	●	●
Energy Monitoring	●	
WiFi	hOn integrated	Optional
Holiday Mode	●	●
Scheduling Programs	●	●
DHW Tank Solar Thermal Control	●	●
Auxiliary Heating Source	●	●
Pool Heating	●	●
Bivalence Control	●	●
Cascade Control	●	●
Selection Software	Yes	No
Standardised indoor to outdoor wiring	Yes (P+Q)	No
SD Card Slot	Yes	No
Error History	●	●
Parameters Check	●	●

HIGH EFFICIENCY



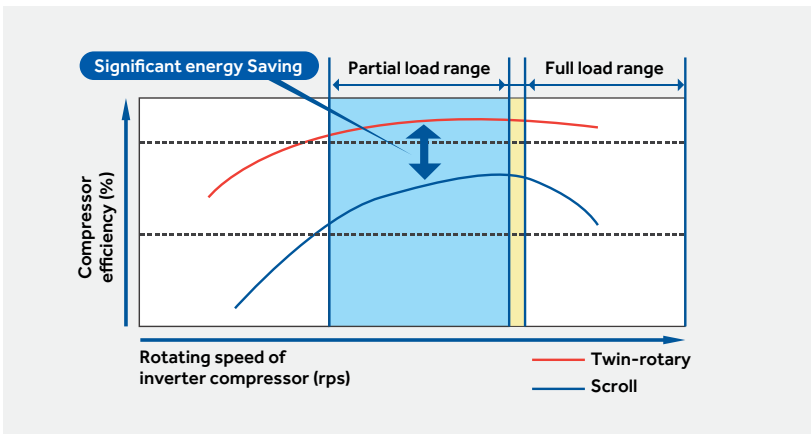
EFFICIENCY R32

The Gen II A2W HP Monobloc has an impressive energy class of A+++. A SCOP of 4.97 and a COP of 5.06 can be reached when the leaving water temperature is 35°C.



FULL DC INVERTER TECHNOLOGY R290 R32

Our heat pumps adopt a full DC inverter twin-rotary compressor which has a smaller size and higher efficiency compared with a scroll compressor. The minimal friction of the compressor and the reduction in running vibration enables us to deliver high efficiency and low noise coming from the compressor.



A+ HOT WATER ERP CLASS R290

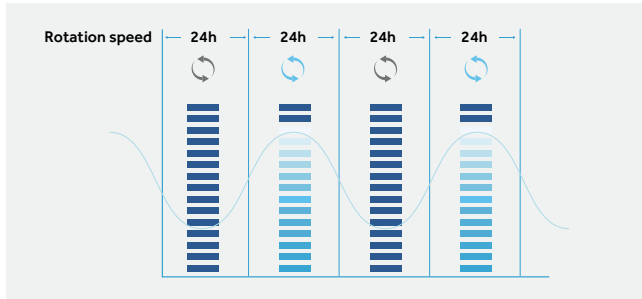


HIGH RELIABILITY

DRY

ANTI-RUST AND CORROSION R290 R32

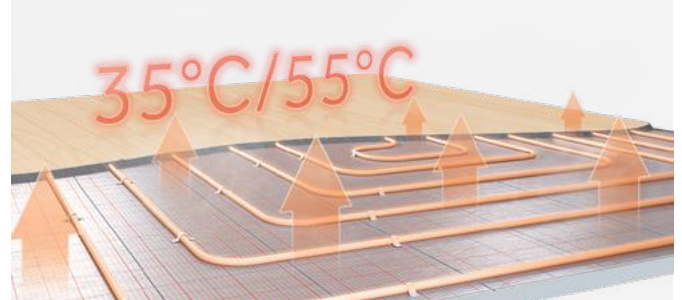
The HE and GT series heat pump has anti-corrosion function. The water pump will automatically run for 60s within 24h, as the following curve shows.



DRY

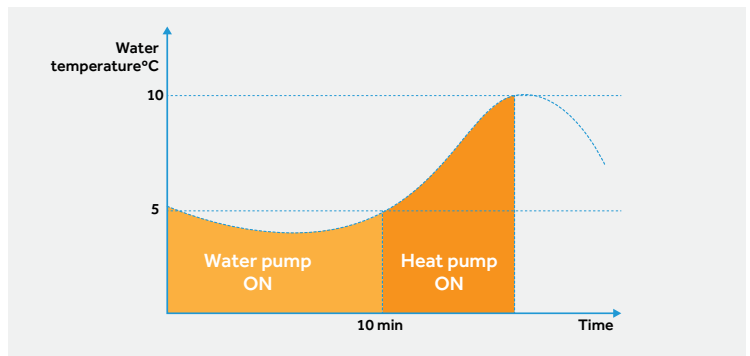
FLOOR DRYING R290

With the Wi-Fi controller you can check the running state of heat and allows you to have flexibility and control of your heat pump, with access to multiple functions.



ANTI-FREEZING R290 R32

The HE series adopts an anti-freezing logic: The water pump will turn on when the water temperature is below 5°C, when the water temperature is below 5°C for more than 10 minutes, the heat pump is turned on.



SUPER CONVENIENCE



CHECK ERROR INFORMATION R290 R32

If errors occur, the service engineer can not only check the current errors, but also the historical error records, which is convenient for fast troubleshooting.



CHECK SYSTEM PARAMETERS R290 R32

Many important parameters about the system can be accessed through the 'System Status' function, including the system parameters, indoor and outdoor units parameters. These parameters are helpful to diagnose the system.



ULTIMATE COMFORT



2-ZONE CONTROL R290 R32

When there are different room temperature requirements, two zone temperature control through separate heating or cooling circuits is possible. Adjust and maintain two different water temperatures to achieve intelligent control and saving energy.



FAST DHW R290 R32

When Fast DHW is activated, the backup heater or auxiliary heating source will be turned on at the same time, in combination with the heat pump. In order to reach DHW setting point as soon as possible, the outdoor ambient temperature and compressor running time will not affect this operation.



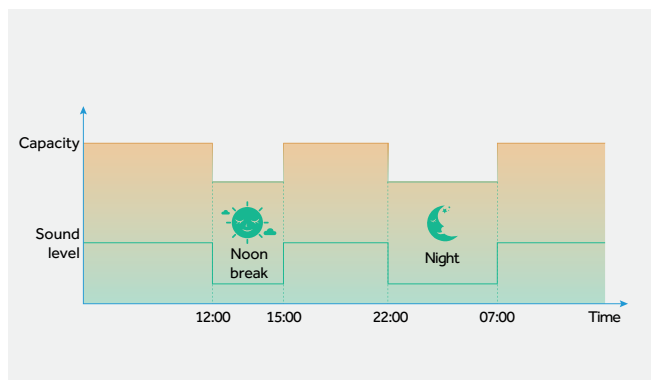
MAX.60/80°C HOT WATER R290 R32

High leaving water temperature of 60°C (R32) or 80°C (R290) is guaranteed without using a backup heater when the outdoor temperature is higher than -15°C.



QUIET MODE R290 R32

The Quiet Mode can work together with the timer function. To guarantee low sound levels during quiet periods such as night time.



TURBO MODE R290 R32

Increase the working speed of the compressor and fan motor to reach chosen temperature faster.



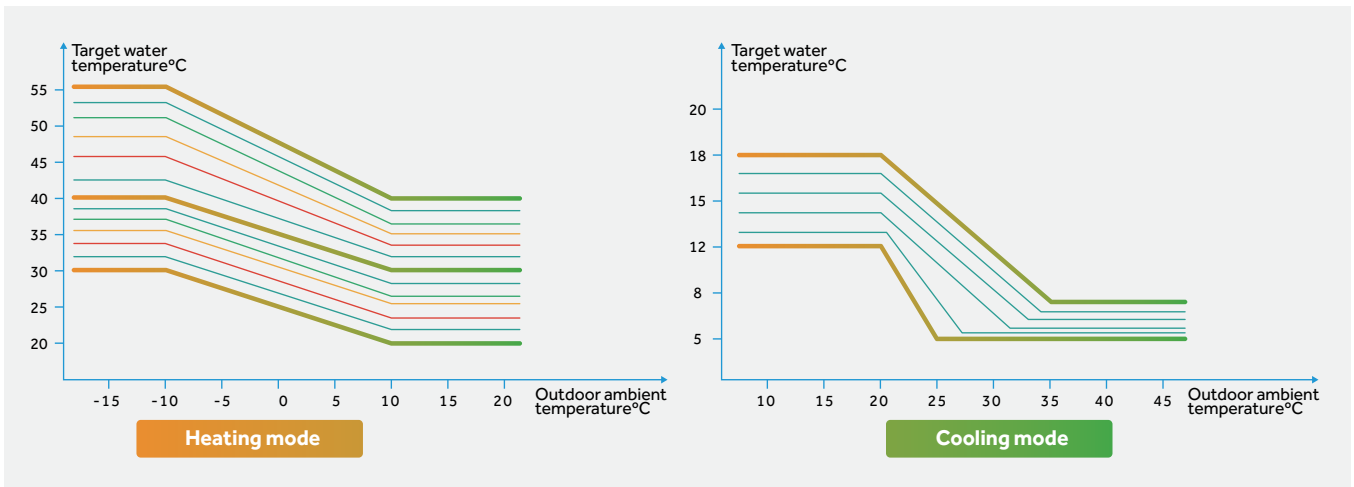
AUTO MODE R290 R32

In Auto mode, the cooling and heating mode is automatically managed according to the outdoor ambient temperature. There is no need to manually set the heat pump operating mode, which is very convenient for the users.



CLIMATE CURVES R290 R32

Both heating and cooling water temperatures are optimally configured when considering outdoor temperature, both in comfort and efficiency terms. The Climate curve configuration allows the system to adapt to outdoor temperature fluctuation with different temperature profiles tailored for each user's preferences.



STERILISATION

Users can directly turn on the sterilisation function, and set the date and time on the controller. The water of the domestic water tank can be automatically heated to 75°C to kill legionella at fixed periods. During the process of sterilisation, the controller screen will display the icon to remind users that the system is sterilisation mode.

Note: Only when the electric heater in the domestic water tank is controlled by Haier unit.

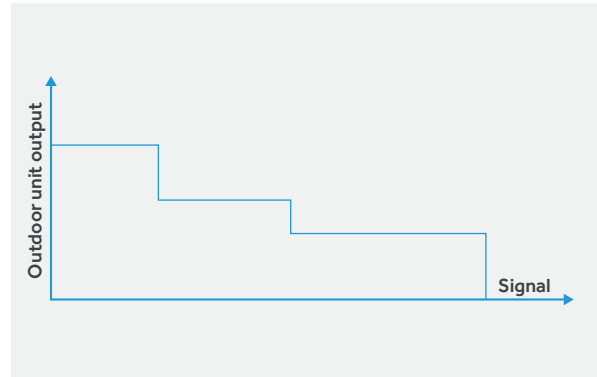


INTELLIGENCE



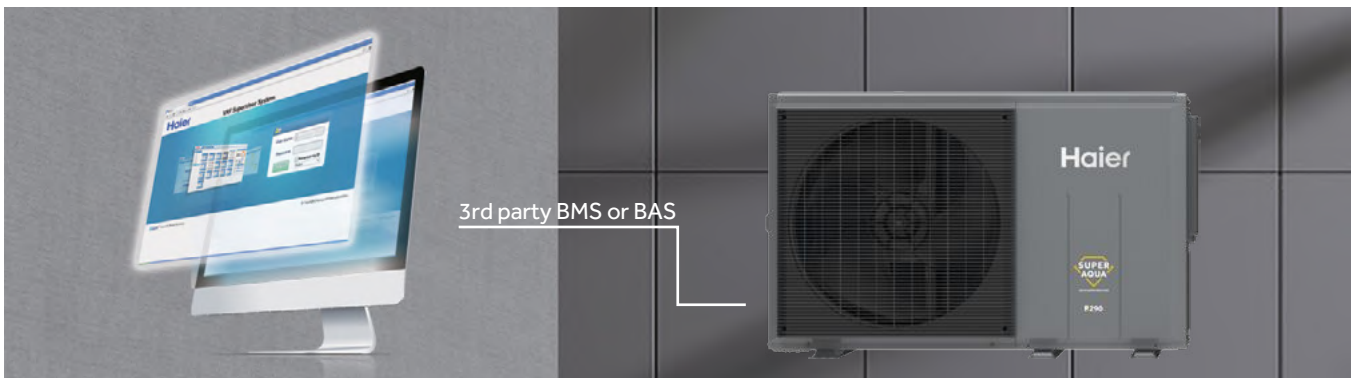
SMART GRID R290 R32

Based on the signal from power grid company, the outdoor unit will adjust the capacity output.



MODBUS R290 R32

The unit integrates the MODBUS RTU communication protocol, it can be connected to 3rd party BMS or BAS directly, no additional Modbus gateway is needed.



SCHEDULING PROGRAMS R290 R32

Users can create scheduled programs, including naming the programs, timer on/off operation, mode selection, leaving temperature setting and the frequency. Once the scheduled program is set, the system will run according the pre-set program automatically.

Scheduling Programs				
	0:00	8:00	17:30	24:00
Mon	ON	OFF	ON	
Tues	ON	OFF	ON	
Weds	ON	OFF	ON	
Thurs	ON	OFF	ON	
Fri	ON	OFF	ON	
Sat		ON		
Sun		ON		



hOn WIFI R290 R32

With Haier's integrated hOn Wi-Fi, you can check the running state of heat pump allowing you to have complete flexibility and control.



DHW TANK SOLAR THERMAL CONTROL R290 R32

Control the solar thermal function of the tank for heating domestic hot water.



AUXILIARY HEATING SOURCE R290 R32

Allows the system to be combined with a third-party boiler and control the boiler.



POOL HEATING R290 R32

Provides control to manage the temperature of the pool water.



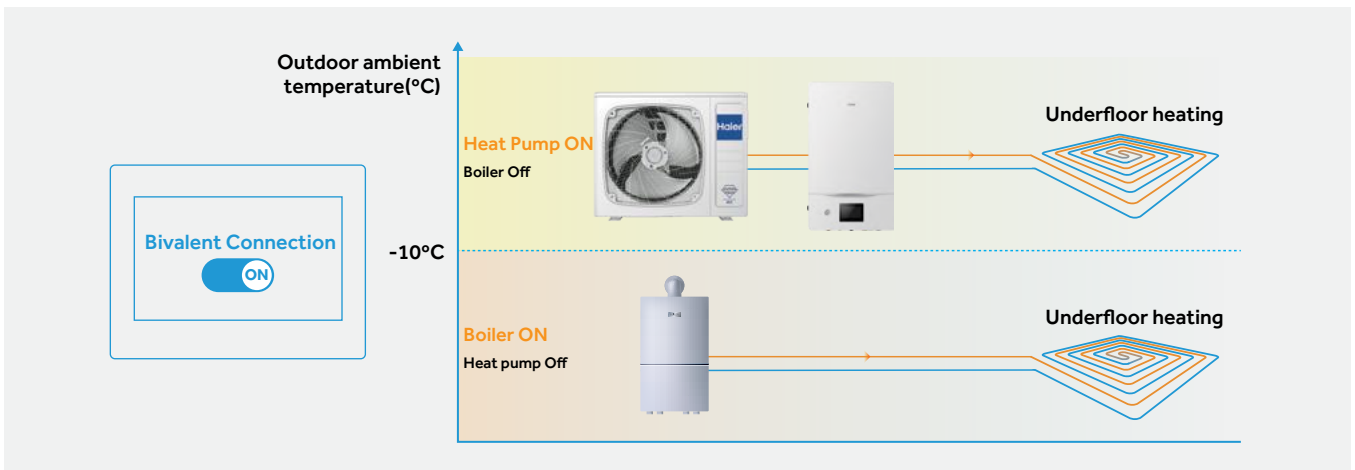
SMART VACATION R290 R32

In smart vacation mode, the heat pump will work at its minimal requirement to save energy and costs while you are away.



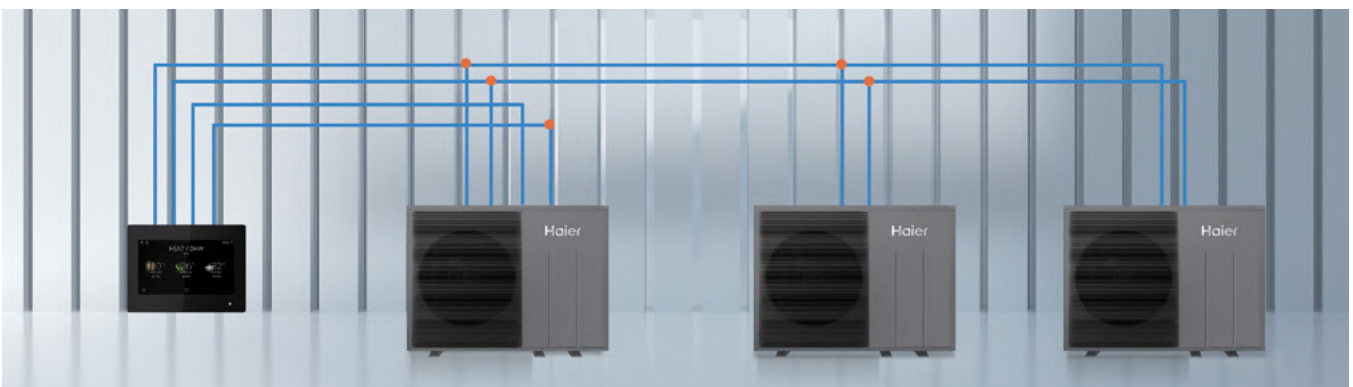
BIVALENT CONTROL R290 R32

When the system is combined with a boiler, the 'bivalent connection' can be set by the controller. When bivalent connection is turned on, the heat pump will have full control of all aspects of the system and will run the boiler when required, depending on system design and settings. When bivalent connection is turned off, both boiler and heat pump conduct automatic control.



CASCADE CONTROL R290 R32

Max 8 units & can be combined in one system to suitable for larger capacity demands.





R290 A2W HEAT PUMP



MONOBLOC GT R290 NEW 2024



AW042MUGHA
AW062MUGHA
AW082MUGHA
AW102MUGHA

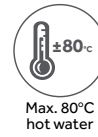


ATW-A03



HW-WA101DBT
(standard)

Product Data			Monobloc 4kW-1Ph	Monobloc 6kW-1Ph	Monobloc 8kW-1Ph	Monobloc 10kW-1Ph
Model			AW042MUGHA	AW062MUGHA	AW082MUGHA	AW102MUGHA
Heating (LWT 35°C / OAT 7°C)	Capacity	kW	4.00	6.00	8.00	10.00
	Power input	kW	0.73	1.12	1.50	1.96
	COP	-	5.50	5.35	5.35	5.10
Heating (LWT 55°C / OAT 7°C)	Capacity	kW	4.00	6.00	8.00	10.00
	Power input	kW	1.19	1.82	2.35	3.13
	COP	-	3.35	3.30	3.40	3.20
Space heating Average climate water outlet 35°C	SCOP	-	5.10	5.10	5.20	5.10
	ns	%	201	201	205	201
	Energy class	-	A+++	A+++	A+++	A+++
Space heating Average climate water outlet 55°C	SCOP	-	3.85	3.83	3.85	3.83
	ns	%	151	150	151	150
	Energy class	-	A+++	A+++	A+++	A+++
Cooling (LWT 18°C / OAT 35°C)	Capacity	kW	4.00	6.00	7.50	9.50
	Power input	kW	0.79	1.20	1.58	2.21
	EER	-	5.05	5.00	4.75	4.30
Cooling (LWT 7°C / OAT 35°C)	Capacity	kW	3.50	5.00	6.80	8.50
	Power input	kW	0.95	1.37	1.97	2.62
	EER	-	3.70	3.65	3.45	3.25
Outdoor operating temperature range	Heating	°C	-25 ~ 35	-25 ~ 35	-25 ~ 35	-25 ~ 35
	Cooling	°C	10 ~ 48	10 ~ 48	10 ~ 48	10 ~ 48
	DHW	°C	-25 ~ 43	-25 ~ 43	-25 ~ 43	-25 ~ 43
Leaving water temperature range	Heating	°C	20-80	20-80	20-80	20-80
	Cooling	°C	5-25	5-25	5-25	5-25
Storage temperature range(tank)	DHW	°C	25-75	25-75	25-75	25-75
Water piping connection	Inlet/Outlet	inch	R 1/R 1	R 1/R 1	R 1/R 1	R 1/R 1
Expansion tank	L		4.5	4.5	4.5	4.5
Compressor	Quantity	-	1	1	1	1
	Type	-	DC inverter twin rotary			
Refrigerant	Type	-	R290			
	Charge/CO2 Eq.	kg/t	0.8/2.4	0.8/2.4	0.9/2.7	0.9/2.7
Net dimension	(HxWxD)	mm	790 × 1250 × 380	790 × 1250 × 380	790 × 1250 × 380	790 × 1250 × 380
Packing dimension	(HxWxD)	mm	1022 × 1395 × 595	1022 × 1395 × 595	1022 × 1395 × 595	1022 × 1395 × 595
Net/Gross weight	kg		94/127	94/127	106/139	106/139
Sound Pressure level*(1)		dB(A)	44	47	48	49
Sound power level*(1)		dB	55	58	59	60
Power supply		V/-/Hz	220-240/1/50	220-240/1/50	220-240/1/50	220-240/1/50
Max. running current		A	13.5	13.5	18.6	18.6
Recommended circuit breaker		A	16.0	16.0	20.0	20.0
Accessory	Wired controller	-	HW-WA101DBT (Standard)			
	PCB Box	-	ATW-A03 (Standard)			
	Filter	-	Y-type (Standard)			



Note: *(1)The testing conditions refer to EN14511-2018 and the testing method refers to EN12102-2017(A7/W35)

MONOBLOC GT R290 NEW 2024



AW122MXGHA
AW142MXGHA
AW162MXGHA

AW12NMXGHA
AW14NMXGHA
AW16NMXGHA

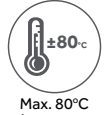


ATW-A03



HW-WA101DBT
(standard)

Product Data			Monobloc 12kW-1Ph	Monobloc 14kW-1Ph	Monobloc 16kW-1Ph	Monobloc 12kW-3Ph	Monobloc 14kW-3Ph	Monobloc 16kW-3Ph
Model			AW122MXGHA	AW142MXGHA	AW162MXGHA	AW12NMXGHA	AW14NMXGHA	AW16NMXGHA
Heating (LWT 35°C / OAT 7°C)	Capacity	kW	12.00	14.00	16.00	12.00	14.00	16.00
	Power input	kW	2.35	2.83	3.23	2.35	2.83	3.23
	COP	-	5.10	4.95	4.95	5.10	4.95	4.95
Heating (LWT 55°C / OAT 7°C)	Capacity	kW	11.50	13.50	15.50	11.50	13.50	15.50
	Power input	kW	3.48	4.22	5.08	3.48	4.22	5.08
	COP	-	3.30	3.20	3.05	3.30	3.20	3.05
Space heating Average climate water outlet 35°C	SCOP	-	4.82	4.80	4.80	4.82	4.80	4.80
	ns	%	190	189	189	190	189	189
	Energy class	-	A+++	A+++	A+++	A+++	A+++	A+++
Space heating Average climate water outlet 55°C	SCOP	-	3.85	3.83	3.85	3.85	3.83	3.85
	ns	%	151	150	151	151	150	151
	Energy class	-	A+++	A+++	A+++	A+++	A+++	A+++
Cooling (LWT 18°C / OAT 35°C)	Capacity	kW	11.50	13.50	15.50	11.50	13.50	15.50
	Power input	kW	2.56	3.14	3.88	2.56	3.14	3.88
	EER	-	4.50	4.30	4.00	4.50	4.30	4.00
Cooling (LWT 7°C / OAT 35°C)	Capacity	kW	10.00	12.00	14.00	10.00	12.00	14.00
	Power input	kW	2.99	3.75	4.52	2.99	3.75	4.52
	EER	-	3.35	3.20	3.10	3.35	3.20	3.10
Outdoor operating temperature range	Heating	°C	-25 ~ 35	-25 ~ 35	-25 ~ 35	-25 ~ 35	-25 ~ 35	-25 ~ 35
	Cooling	°C	10 ~ 48	10 ~ 48	10 ~ 48	10 ~ 48	10 ~ 48	10 ~ 48
	DHW	°C	-25 ~ 43	-25 ~ 43	-25 ~ 43	-25 ~ 43	-25 ~ 43	-25 ~ 43
Leaving water temperature range	Heating	°C	20-80	20-80	20-80	20-80	20-80	20-80
	Cooling	°C	5-25	5-25	5-25	5-25	5-25	5-25
Storage temperature range(tank)	DHW	°C	25-75	25-75	25-75	25-75	25-75	25-75
Water piping connection	Inlet/Outlet	inch	R 1/R 1	R 1/R 1	R 1/R 1	R 1/R 1	R 1/R 1	R 1/R 1
Expansion tank	L		8	8	8	8	8	8
Compressor	Quantity	-	1	1	1	1	1	1
	Type	-	DC inverter twin rotary					
Refrigerant	Type	-	R290					
	Charge/CO2 Eq.	kg/t	1.05/3.15	1.05/3.15	1.25/3.75	1.05/3.15	1.05/3.15	1.25/3.75
Net dimension	(HxWxD)	mm	880 × 1380 × 460	880 × 1380 × 460	880 × 1380 × 460	880 × 1380 × 460	880 × 1380 × 460	880 × 1380 × 460
Packing dimension	(HxWxD)	mm	1112 × 1526 × 675	1112 × 1526 × 675	1112 × 1526 × 675	1112 × 1526 × 675	1112 × 1526 × 675	1112 × 1526 × 675
Net/Gross weight	kg		127/165	127/165	136/174	142/180	142/180	151/189
Sound Pressure level*(1)	dB(A)		52	53	55	52	53	55
Sound power level*(1)	dB		63	64	66	63	64	66
Power supply	V/-/Hz		220-240/1/50	220-240/1/50	220-240/1/50	380-415/3/50	380-415/3/50	380-415/3/50
Max. running current	A		30.6	30.6	34.8	10.2	10.2	11.6
Recommended circuit breaker	A		32.0	32.0	40.0	16.0	16.0	16.0
Accessory	Wired controller	-	HW-WA101DBT (Standard)					
	PCB Box	-	ATW-A03 (Standard)					
	Filter	-	Y-type (Standard)					



Note: *(1)The testing conditions refer to EN14511-2018 and the testing method refers to EN12102-2017(A7/W35)

MONOBLOC GT R290 NEW 2024

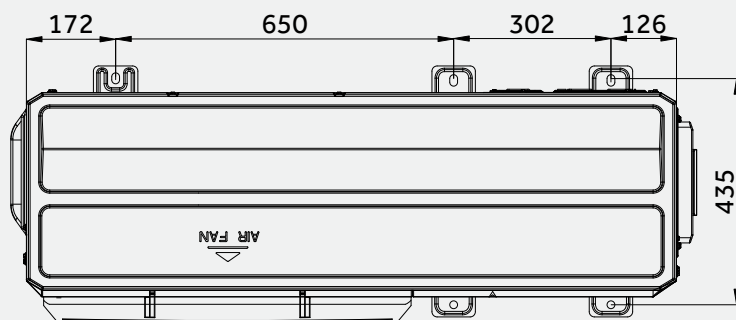
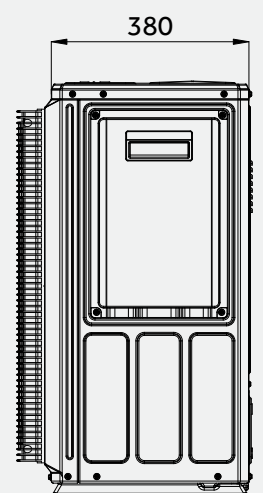
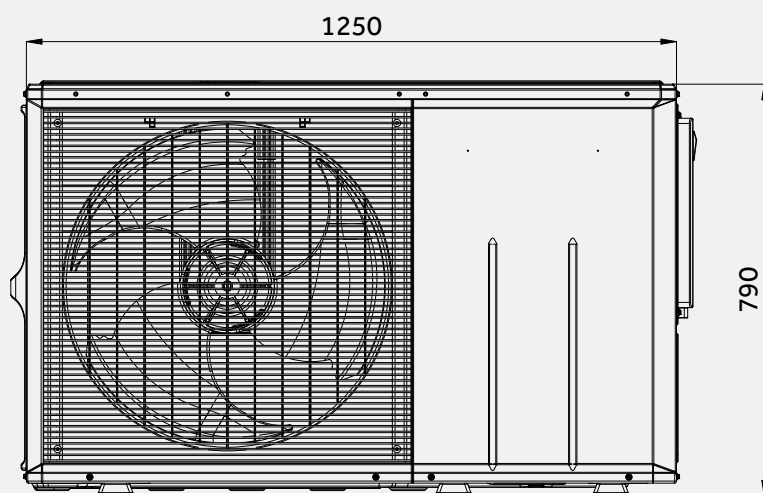
MONO GT

AW042MUGHA

AW062MUGHA

AW082MUGHA

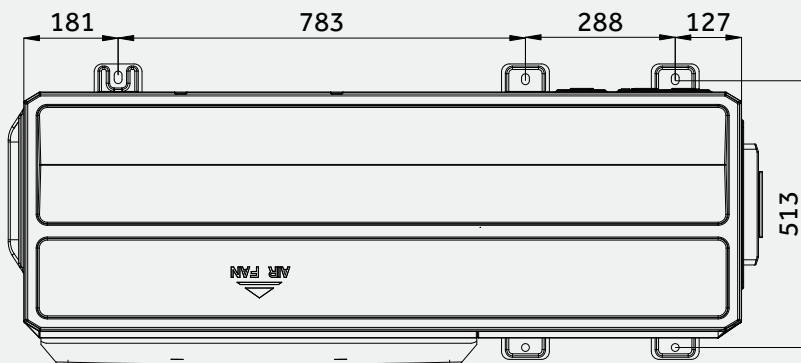
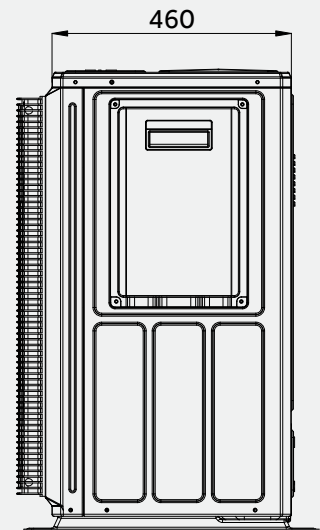
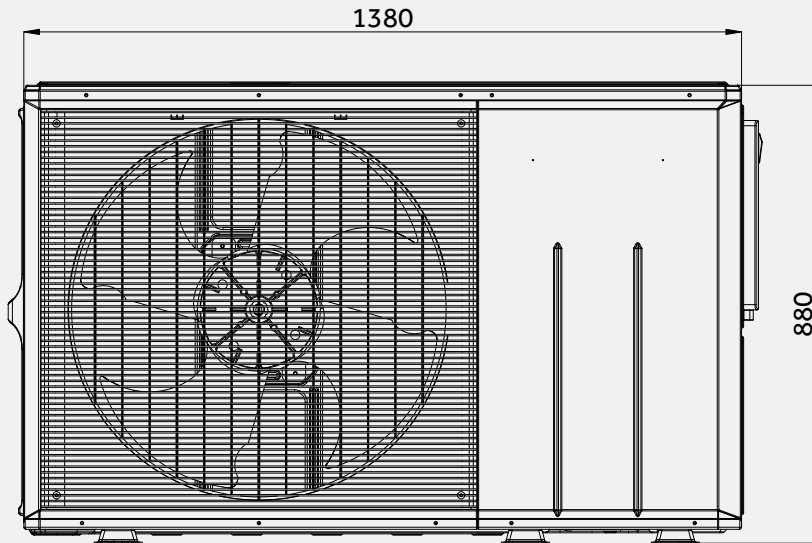
AW102MUGHA



MONOBLOC GT R290 NEW 2024

MONO GT

AW122MXGHA
AW142MXGHA
AW162MXGHA
AW12NMXGHA
AW14NMXGHA
AW16NMXGHA



HYDRO SPLIT R290 NEW 2024



AW042HUGHA
AW062HUGHA
AW082HUGHA
AW102HUGHA
AW10NHUGHA



HU102WAHYA
HU162WAHYA
HU10NWAHYAE3
HU16NWAHYAE3

Product Data			Hydro Split 4kW-1Ph	Hydro Split 6kW-1Ph	Hydro Split 8kW-1Ph	Hydro Split 10kW-1Ph	Hydro Split 10kW-3Ph
Heating (LWT 35°C / OAT 7°C)	Capacity	kW	4.00	6.00	8.00	10.00	10.00
	Power input	kW	0.73	1.12	1.50	1.96	1.96
	COP	W/W	5.50	5.35	5.35	5.10	5.10
Heating (LWT 55°C / OAT 7°C)	Capacity	kW	4.00	6.00	8.00	10.00	10.00
	Power input	kW	1.19	1.82	2.35	3.13	3.13
	COP	W/W	3.35	3.30	3.40	3.20	3.20
Space heating Average climate water outlet 35°C	SCOP	-	5.10	5.10	5.20	5.10	5.10
	ns	%	201	201	205	201	201
	Energy class	-	A+++	A+++	A+++	A+++	A+++
Space heating Average climate water outlet 55°C	SCOP	-	3.85	3.83	3.85	3.83	3.83
	ns	%	151	150	151	150	150
	Energy class	-	A+++	A+++	A+++	A+++	A+++
Cooling (LWT 18°C / OAT 35°C)	Capacity	kW	4.00	6.00	7.50	9.50	9.50
	Power input	kW	0.79	1.20	1.58	2.21	2.21
	EER	-	5.05	5.00	4.75	4.30	4.30
Cooling (LWT 7°C / OAT 35°C)	Capacity	kW	3.50	5.00	6.80	8.50	8.50
	Power input	kW	0.95	1.37	1.97	2.62	2.62
	EER	-	3.70	3.65	3.45	3.25	3.25
Indoor Unit			HU102WAHYA	HU102WAHYA	HU102WAHYA	HU102WAHYA	HU10NWAHYAE3
Leaving water temperature range	Heating	°C	20-80	20-80	20-80	20-80	20-80
	Cooling	°C	5-25	5-25	5-25	5-25	5-25
Storage temperature range (Tank)	DHW	°C	25-75	25-75	25-75	25-75	25-75
Water piping Connection	Inlet/Outlet	inch	R 1/R 1	R 1/R 1	R 1/R 1	R 1/R 1	R 1/R 1
Expansion Tank	L		8	8	8	8	8
Backup electric heater	Capacity	kW	1+2	1+2	1+2	1+2	1+2
Power supply	V/ph/Hz		220-240/1/50	220-240/1/50	220-240/1/50	220-240/1/50	380-415/3/50
Max running current	A		14.1	14.1	14.1	14.1	5.0
Recommended circuit breaker	A		20.0	20.0	20.0	20.0	10.0
Sound power level	dB		40	40	40	40	40
Net Dimension	(HxWxD)	mm	850 × 480 × 310	850 × 480 × 310	850 × 480 × 310	850 × 480 × 310	850 × 480 × 310
Packaging dimension	(HxWxD)	mm	1020 × 580 × 460	1020 × 580 × 460	1020 × 580 × 460	1020 × 580 × 460	1020 × 580 × 460
Net / Gross weight	HU1*2WAHYA**	kg	35.5 / 49	35.5 / 49	35.5 / 49	35.5 / 49	36 / 49.5
	HU1*2WAHYB**	kg	32.5/46	32.5/46	32.5/46	32.5/46	/
Outdoor Unit			AW042HUGHA	AW062HUGHA	AW082HUGHA	AW102HUGHA	AW10NHUGHA
Outdoor operating temperature range	Heating	°C	-25~35	-25~35	-25~35	-25~35	-25~35
	Cooling	°C	10~48	10~48	10~48	10~48	10~48
	DHW	°C	-25~43	-25~43	-25~43	-25~43	-25~43
Water piping connection	Inlet/Outlet	inch	R 1/R 1	R 1/R 1	R 1/R 1	R 1/R 1	R 1/R 1
Compressor	Quantity	-	1	1	1	1	1
	Type	-	DC inverter twin rotary				
Refrigerant	Type	-	R290				
	Charge/CO2 Eq.	kg/T	0.8/2.4	0.8/2.4	0.9/2.7	0.9/2.7	0.9/2.7
Sound pressure level *(1)		dB(A)	44	47	48	49	49
Sound power level *(1)		dB	55	58	59	60	60
Net Dimension	(HxWxD)	mm	790 × 1250 × 380	790 × 1250 × 380	790 × 1250 × 380	790 × 1250 × 380	790 × 1250 × 380
Packaging dimension	(HxWxD)	mm	1022 × 1395 × 550	1022 × 1395 × 550	1022 × 1395 × 550	1022 × 1395 × 550	1022 × 1395 × 550
Net / Gross weight		kg	86/109	86/109	98/121	98/121	113/136
Power supply	V/ph/Hz		220-240/1/50	220-240/1/50	220-240/1/50	220-240/1/50	380-415/3/50
Max running current	A		13.5	13.5	18.6	18.6	6.2
Recommended circuit breaker	A		16.0	16.0	20.0	20.0	16.0

*(1)The testing conditions refer to EN14511-2018 and the testing method refers to EN12102-2017 (A7/W35)
* HU1*2WAHYA** stands for the unit without 3-way valve, with expansion tank
* HU1*2WAHYB** stands for the unit with 3-way valve, without expansion tank



R290



A+++/A+++



Max. 80°C hot water



Climate Curve



2 Zone Control



Auto Mode



Smart Grid



Modbus



DHW Tank Solar Control



Pool Heating



Anti-freezing

HYDRO SPLIT R290 NEW 2024



AW122HVGHA
AW142HVGHA
AW162HVGHA

AW12NHVGHA
AW14NHVGHA
AW16NHVGHA

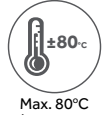


HU102WAHYA
HU162WAHYA

HU10NWAHYAE3
HU16NWAHYAE3

Product Data			Hydro Split 12kW-1Ph	Hydro Split 14kW-1Ph	Hydro Split 16kW-1Ph	Hydro Split 12kW-3Ph	Hydro Split 14kW-3Ph	Hydro Split 16kW-3Ph
Heating (LWT 35°C / OAT 7°C)	Capacity	kW	12.00	14.00	16.00	12.00	14.00	16.00
	Power input	kW	2.35	2.83	3.23	2.35	2.83	3.23
	COP	W/W	5.10	4.95	4.95	5.10	4.95	4.95
Heating (LWT 55°C / OAT 7°C)	Capacity	kW	11.50	13.50	15.50	11.50	13.50	15.50
	Power input	kW	3.48	4.22	5.08	3.48	4.22	5.08
	COP	W/W	3.30	3.20	3.05	3.30	3.20	3.05
Space heating Average climate water outlet 35°C	SCOP	-	4.82	4.80	4.80	4.82	4.80	4.80
	ns	%	190	189	189	190	189	189
	Energy class	-	A+++	A+++	A+++	A+++	A+++	A+++
Space heating Average climate water outlet 55°C	SCOP	-	3.85	3.83	3.85	3.85	3.83	3.85
	ns	%	151	150	151	151	150	151
	Energy class	-	A+++	A+++	A+++	A+++	A+++	A+++
Cooling (LWT 18°C / OAT 35°C)	Capacity	kW	11.50	13.50	15.50	11.50	13.50	15.50
	Power input	kW	2.56	3.14	3.88	2.56	3.14	3.88
	EER	-	4.50	4.30	4.00	4.50	4.30	4.00
Cooling (LWT 7°C / OAT 35°C)	Capacity	kW	10.00	12.00	14.00	10.00	12.00	14.00
	Power input	kW	2.99	3.75	4.52	2.99	3.75	4.52
	EER	-	3.35	3.20	3.10	3.35	3.20	3.10
Indoor Unit			HU162WAHYA	HU162WAHYA	HU162WAHYA	HU16NWAHYAE3	HU16NWAHYAE3	HU16NWAHYAE3
Leaving water temperature range	Heating	°C	20-80	20-80	20-80	20-80	20-80	20-80
	Cooling	°C	5-25	5-25	5-25	5-25	5-25	5-25
Storage temperature range (Tank)	DHW	°C	25-75	25-75	25-75	25-75	25-75	25-75
Water piping Connection	Inlet/Outlet	inch	R 1/R 1	R 1/R 1	R 1/R 1	R 1/R 1	R 1/R 1	R 1/R 1
Expansion Tank	L		8	8	8	8	8	8
Backup electric heater	Capacity	kW	2+4	2+4	2+4	2+4	2+4	2+4
Power supply	V/ph/Hz		220-240/1/50	220-240/1/50	220-240/1/50	380-415/3/50	380-415/3/50	380-415/3/50
Max running current	A		28.2	28.2	28.2	9.5	9.5	9.5
Recommended circuit breaker	A		40.0	40.0	40.0	16.0	16.0	16.0
Sound power level	dB		42	42	42	42	42	42
Net Dimension	HxWxD	mm	850 × 480 × 310	850 × 480 × 310	850 × 480 × 310	850 × 480 × 310	850 × 480 × 310	850 × 480 × 310
Packaging dimension	HxWxD	mm	1020 × 580 × 460	1020 × 580 × 460	1020 × 580 × 460	1020 × 580 × 460	1020 × 580 × 460	1020 × 580 × 460
Net / Gross weight	HU1*2WAHYA**	kg	37 / 50.5	37 / 50.5	37 / 50.5	37.5 / 51	37.5 / 51	37.5 / 51
	HU1*2WAHYB**	kg	34/47.5	34/47.5	34/47.5	34.5/48	34.5/48	34.5/48
Outdoor Unit			AW122HVGHA	AW142HVGHA	AW162HVGHA	AW12NHVGHA	AW14NHVGHA	AW16NHVGHA
Outdoor operating temperature range	Heating	°C	-25 ~35	-25 ~35	-25 ~35	-25 ~35	-25 ~35	-25 ~35
	Cooling	°C	10 ~ 48	10 ~ 48	10 ~ 48	10 ~ 48	10 ~ 48	10 ~ 48
	DHW	°C	-25 ~43	-25 ~43	-25 ~43	-25 ~43	-25 ~43	-25 ~43
Water piping connection	Inlet/Outlet	inch	R 1/R 1	R 1/R 1	R 1/R 1	R 1/R 1	R 1/R 1	R 1/R 1
Compressor	Quantity	-	1	1	1	1	1	1
	Type	-	DC inverter twin rotary					
Refrigerant	Type	-	R290					
	Charge/CO2 Eq.	kg/T	1.05/3.15	1.05/3.15	1.25/3.75	1.05/3.15	1.05/3.15	1.25/3.75
Sound pressure level *(1)	dB(A)		52	53	55	52	53	55
Sound power level *(1)	dB		63	64	66	63	64	66
Net Dimension	HxWxD	mm	880 × 1250 × 460	880 × 1250 × 460	880 × 1250 × 460	880 × 1250 × 460	880 × 1250 × 460	880 × 1250 × 460
Packaging dimension	HxWxD	mm	1112 × 1396 × 630	1112 × 1396 × 630	1112 × 1396 × 630	1112 × 1396 × 630	1112 × 1396 × 630	1112 × 1396 × 630
Net / Gross weight	kg		114/140	114/140	123/149	129/155	129/155	138/164
Power supply	V/ph/Hz		220-240/1/50	220-240/1/50	220-240/1/50	380-415/3/50	380-415/3/50	380-415/3/50
Max running current	A		30.6	30.6	34.8	10.2	10.2	11.6
Recommended circuit breaker	A		32.0	32.0	40.0	16.0	16.0	16.0

*(1) The testing conditions refer to EN14511-2018 and the testing method refers to EN12102-2017 (A7/W35)
* HU1*2WAHYA** stands for the unit without 3-way valve, with expansion tank
* HU1*2WAHYB** stands for the unit with 3-way valve, without expansion tank

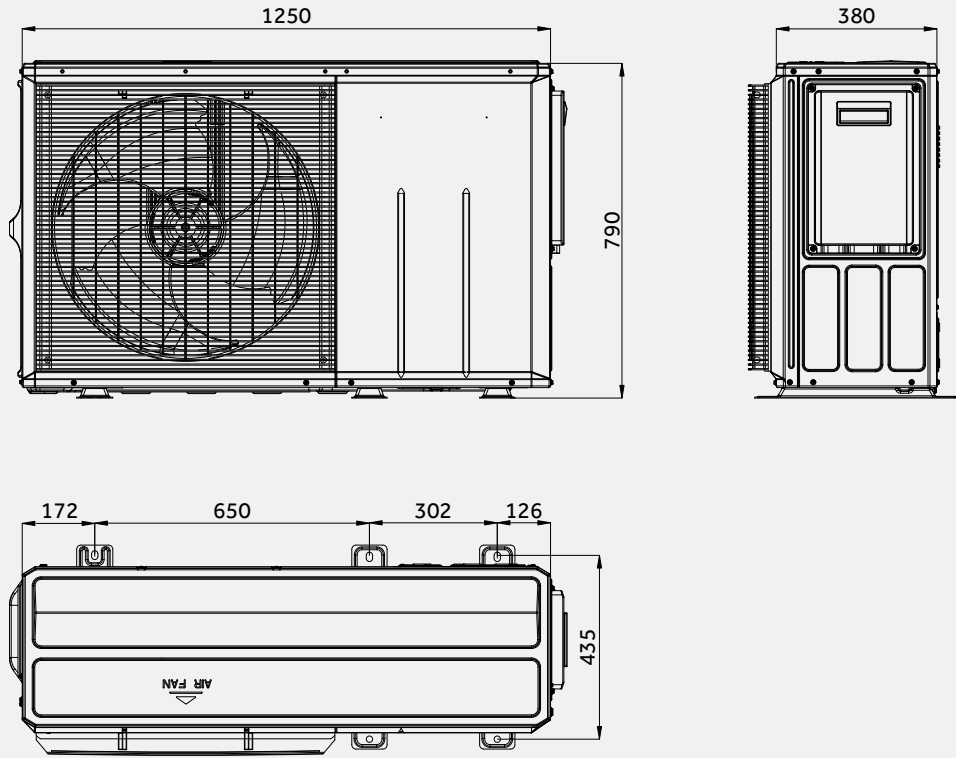


HYDRO SPLIT R290 NEW 2024

HYDRO SPLIT

- AW042HUGHA
- AW062HUGHA
- AW082HUGHA
- AW102HUGHA

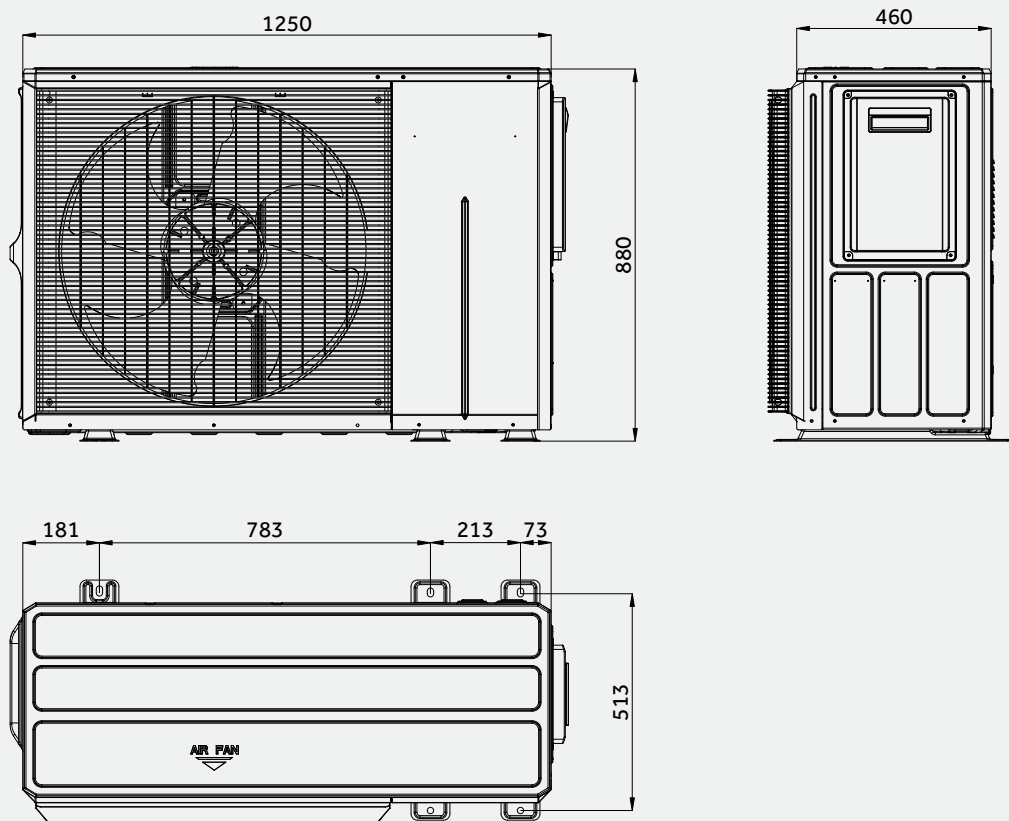
- AW10NHUGHA



HYDRO SPLIT

- AW122HVGHA
- AW142HVGHA
- AW162HVGHA

- AW12NHVGHA
- AW14NHVGHA
- AW16NHVGHA



HYDRO SPLIT R290 NEW 2024

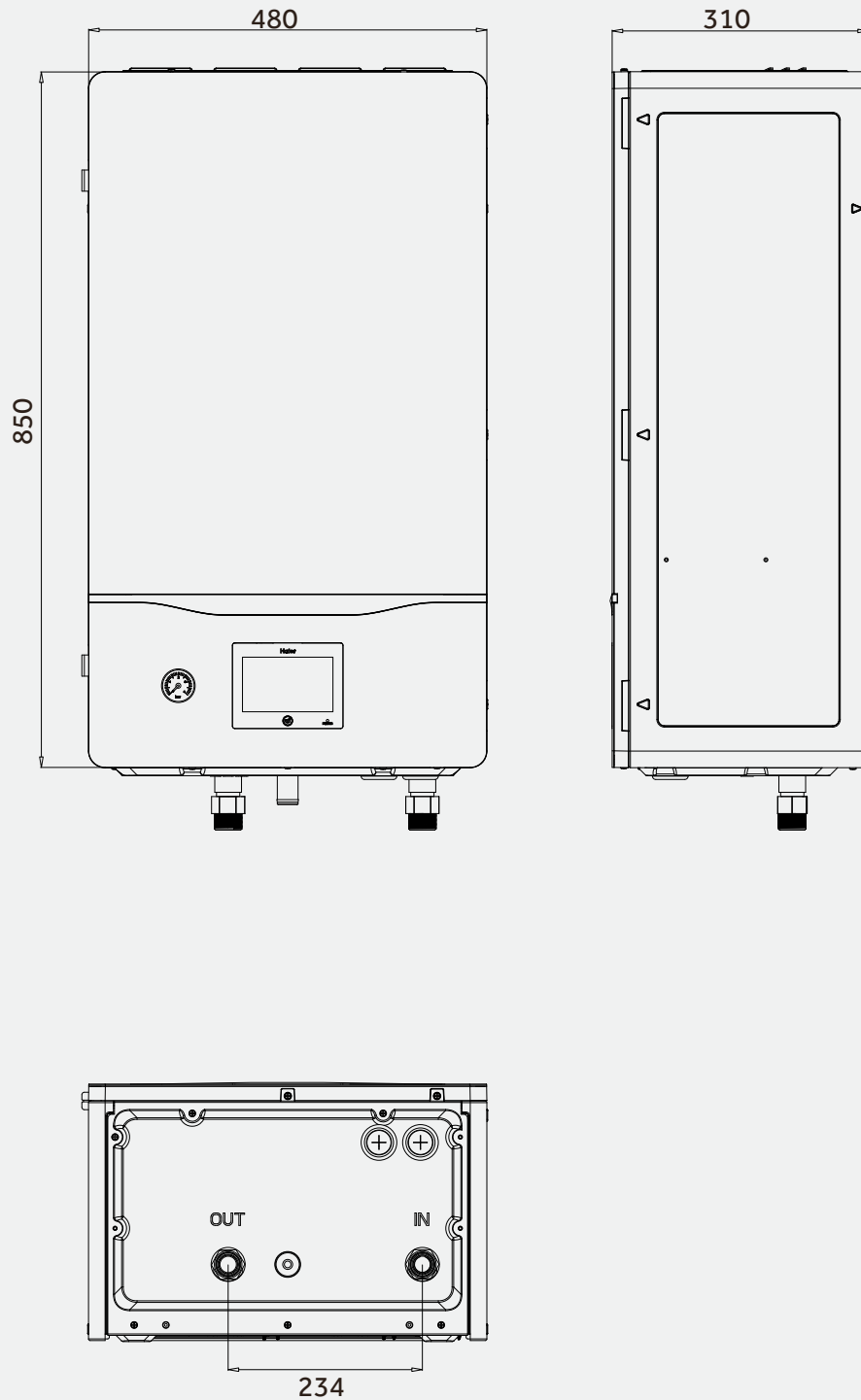
HYDRO SPLIT

HU102WAHYA

HU162WAHYA

HU10NWAHYAE3

HU16NWAHYAE3





R32 A2W HEAT PUMP



MONOBLOC HE R32



AW052MUCHA
AW072MUCHA
AW092MUCHA



AW112MXCHA



ATW-A02
(optional)



HW-WA101DBT
(standard)

Model			AW052MUCHA	AW072MUCHA	AW092MUCHA	AW112MXCHA
Heating (LWT 35°C / OAT 7°C)	Capacity	kW	5.00	7.00	9.00	11.00
	Power input	kW	0.99	1.40	1.84	2.24
	COP	-	5.06	5.00	4.90	4.90
Heating (LWT 55°C / OAT 7°C)	Capacity	kW	5.00	7.00	8.50	10.50
	Power input	kW	1.69	2.41	3.09	3.50
	COP	-	2.95	2.90	2.75	3.00
Space heating Average climate water outlet 35°C	SCOP	-	4.97	4.95	4.95	4.70
	ns	%	196	195	195	185
	Energy class	-	A+++	A+++	A+++	A+++
Space heating Average climate water outlet 55°C	SCOP	-	3.52	3.38	3.34	3.40
	ns	%	138	132	131	133
	Energy class	-	A++	A++	A++	A++
Cooling (LWT 18°C / OAT 35°C)	Capacity	kW	5.00	7.00	8.00	10.00
	Power input	kW	1.02	1.44	1.86	2.27
	EER	-	4.90	4.85	4.30	4.40
Cooling (LWT 7°C / OAT 35°C)	Capacity	kW	5.00	7.00	8.00	10.00
	Power input	kW	1.56	2.19	2.76	3.23
	EER	-	3.20	3.20	2.90	3.10
Outdoor operating temperature range	Heating	°C	-25 ~ 35	-25 ~ 35	-25 ~ 35	-25 ~ 35
	Cooling	°C	10-48	10-48	10-48	10-48
Leaving water temperature range	Heating	°C	25 ~ 60	25 ~ 60	25 ~ 60	25 ~ 60
	Cooling	°C	5-25	5-25	5-25	5-25
Water flow rate		L/min	14.3	20.1	25.8	31.5
Water piping connection	inlet/outlet	inch	R 1	R 1	R 1	R 1
Compressor	Quantity	-	1	1	1	1
	Type	-	DC inverter twin rotar			
Refrigerant	Type	-	R32			
	Charge/CO2 Eq.	kg/t	1.3/0.88	1.3/0.88	1.4/0.95	1.8/1.22
Net dimension	(WxHxD)	mm	790×1250×380	790×1250×380	790×1250×380	880×1380×460
Packing dimension	(WxHxD)	mm	1022x1395x550	1022x1395x550	1022x1395x550	1112x1526x630
Net/Gross weight		kg	81/109	81/109	85/113	108/148
Sound power level		dB	60	61	62	63
Power supply		V/-/Hz	220-240/1/50	220-240/1/50	220-240/1/50	220-240/1/50
Max. running current		A	12	12	16	20
Recommended circuit breaker		A	16	16	20	25
Accessory	Wired controller	-	HW-WA101DBT (standard)			
	PCB Box	-	ATW-A02 (Optional)			
	Filter	-	Standard			



R32



A+++/A++



Max. 60°C
hot water



Climate Curve



2 Zone Control



Auto Mode



Smart Grid



Modbus



DHW Tank
Solar Control



Pool Heating



Anti-freezing

Note: 1. According to EN14511, EN14825 (EU) and No 811/2013(EU).
2. LWT: Leaving water temperature; OAT: Outdoor air temperature.
3. Sound level values are measured at a semi-anechoic room. And the sound power level values are based on measurement of EN2102-1 under conditions of EN14825.
4. PCB box is needed when using solar thermal function and pool heating function.
5. The above data may be changed without notice for future improvement on quality and performance.

MONOBLOC HE R32



AW142(N)MXCHA
AW162(N)MXCHA
AW11NMXCHA
AW14NMXCHA
AW16NMXCHA



ATW-A02
(optional)



HW-WA101DBT
(standard)

Model			AW142MXCHA	AW162MXCHA	AW11NMXCHA	AW14NMXCHA	AW16NMXCHA
Heating (LWT 35°C / OAT 7°C)	Capacity	kW	14.00	16.00	11.00	14.00	16.00
	Power input	kW	2.95	3.53	2.24	2.95	3.53
	COP	-	4.75	4.53	4.90	4.75	4.53
Heating (LWT 55°C / OAT 7°C)	Capacity	kW	13.50	15.20	10.50	13.50	15.20
	Power input	kW	4.82	5.53	3.33	4.82	5.53
	COP	-	2.80	2.75	3.00	2.80	2.75
Space heating Average climate water outlet 35°C	SCOP	-	4.65	4.55	4.70	4.65	4.55
	ns	%	183	179	185	183	179
	Energy class	-	A+++	A+++	A+++	A+++	A+++
Space heating Average climate water outlet 55°C	SCOP	-	3.45	3.40	3.40	3.45	3.40
	ns	%	135	133	133	135	133
	Energy class	-	A++	A++	A++	A++	A++
Cooling (LWT 18°C / OAT 35°C)	Capacity	kW	13.50	15.20	10.00	13.50	15.20
	Power input	kW	3.14	3.80	2.27	3.14	3.80
	EER	-	4.30	4.00	4.40	4.30	4.00
Cooling (LWT 7°C / OAT 35°C)	Capacity	kW	12.00	14.00	10.00	12.00	14.00
	Power input	kW	4.21	5.28	3.23	4.21	5.28
	EER	-	2.85	2.65	3.10	2.85	2.65
Outdoor operating temperature range	Heating	°C	-25 ~ 35	-25 ~ 35	-25 ~ 35	-25 ~ 35	-25 ~ 35
	Cooling	°C	10-48	10-48	10-48	10-48	10-48
Leaving water temperature range	Heating	°C	25 ~ 60	25 ~ 60	25 ~ 60	25 ~ 60	25 ~ 60
	Cooling	°C	5~25	5~25	5~25	5~25	5~25
Water flow rate		L/min	40.1	45.9	31.5	40.1	45.9
Water piping connection	inlet/outlet	inch	R 1	R 1	R 1	R 1	R 1
Compressor	Quantity	-	1	1	1	1	1
	Type	-	DC inverter twin rotar				
Refrigerant	Type	-	R32				
	Charge/CO2 Eq.	kg/t	2.5/1.6	2.5/1.69	1.8/1.22	2.5/1.69	2.5/1.69
Net dimension	(WxHxD)	mm	880 × 1380 × 460	880 × 1380 × 460	880 × 1380 × 460	880 × 1380 × 460	880 × 1380 × 460
Packing dimension	(WxHxD)	mm	1112 × 1526 × 630	1112 × 1526 × 630	1112 × 1526 × 630	1112 × 1526 × 630	1112 × 1526 × 630
Net/Gross weight		kg	117/157	117/157	108/148	117/157	117/157
Sound power level		dB	65	65	63	65	65
Power supply		V/-/Hz	220-240/1/50	220-240/1/50	380-415/3/50	380-415/3/50	380-415/3/50
Max. running current		A	32	32	10	12	12
Recommended circuit breaker		A	40	40	16	16	16
Accessory	Wired controller	-	HW-WA101DBT (standard)				
	PCB Box	-	ATW-A02 (Optional)				
	Filter	-	Standard				

Note: 1. According to EN14511, EN14825 (EU) and No 811/2013(EU).
2. LWT: Leaving water temperature; OAT: Outdoor air temperature.
3. Sound level values are measured at a semi-anechoic room. And the sound power level values are based on measurement of EN2102-1 under conditions of EN14825.
4. PCB box is needed when using solar thermal function and pool heating function.
5. The above data may be changed without notice for future improvement on quality and performance.



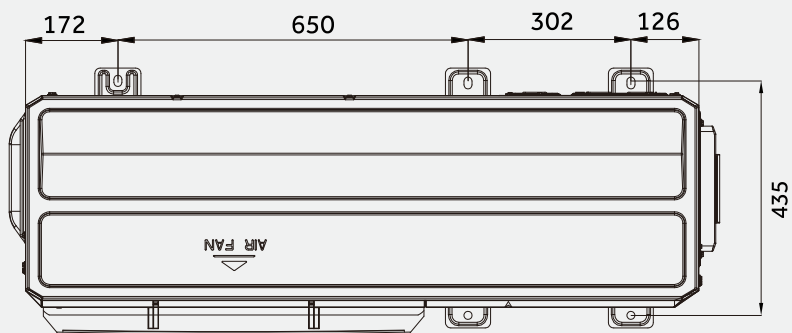
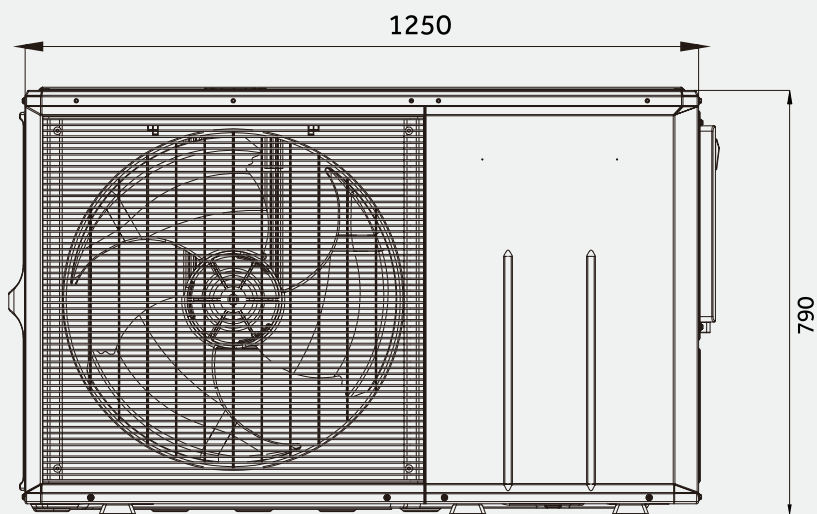
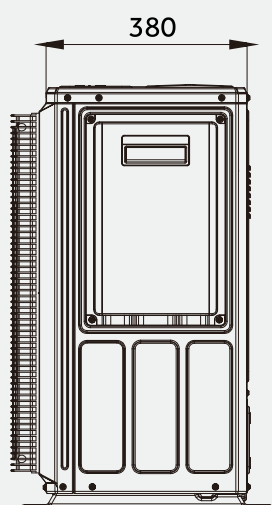
MONOBLOC HE R32

MONO HE

AW052MUCHA

AW072MUCHA

AW092MUCHA

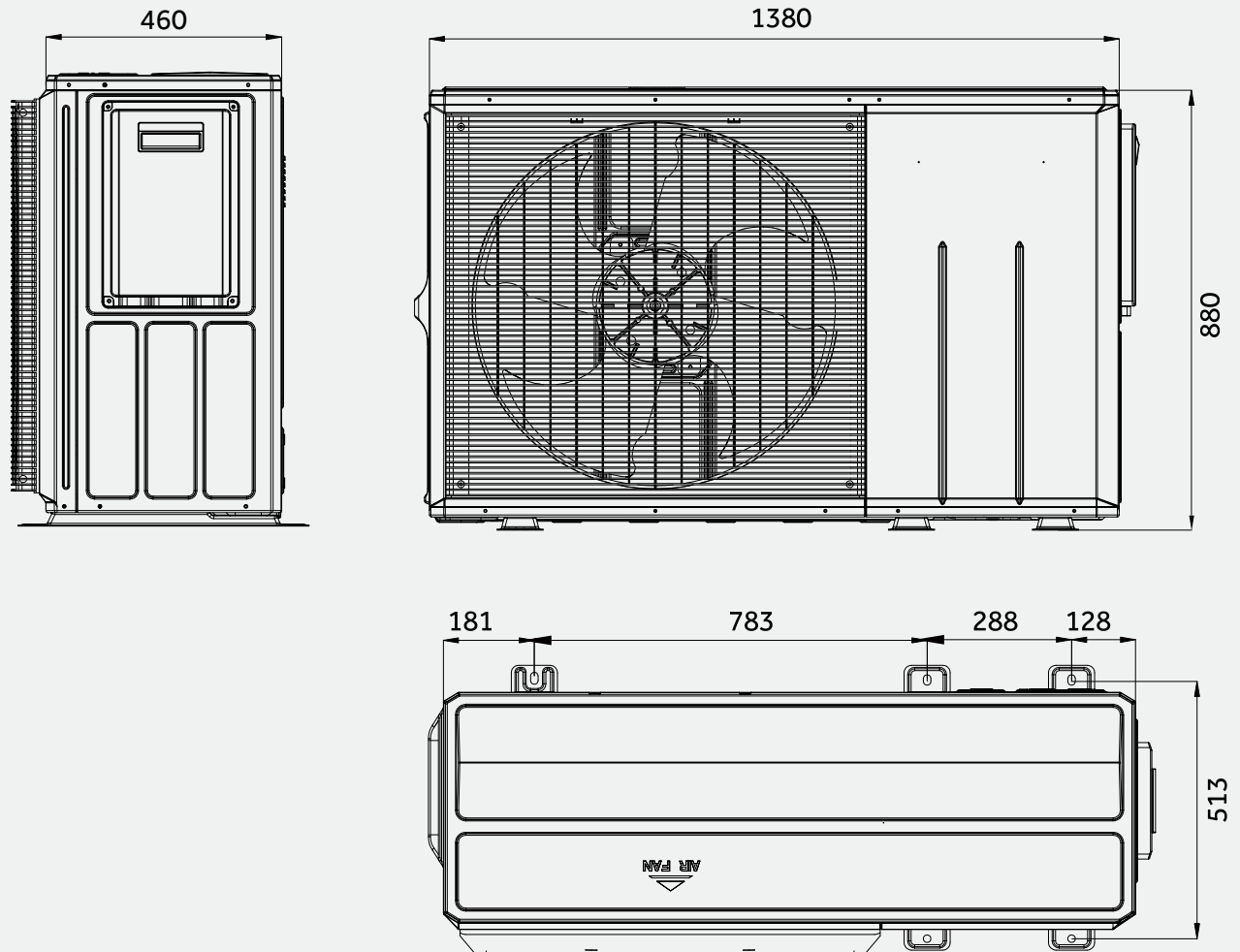


MONOBLOC HE R32

MONO HE

AW112MXCHA
AW142(N)MXCHA
AW162(N)MXCHA

AW11NMXCHA
AW14NMXCHA
AW16NMXCHA



SPLIT HE R32



AW042SSCHA
AW062SSCHA



AW082SNCHA
AW102SNCHA



HU062WAMNA
HU102WAMNA



ATW-A02
(optional)



HW-WA101DBT
(optional)

Product Data			Super Aqua S 4	Super Aqua S 6	Super Aqua S 8	Super Aqua S 10
Heating (LWT 35 °C / OAT 7 °C)	Capacity	kW	4.00	6.00	8.00	10.00
	Power Input	kW	0.80	1.20	1.60	2.17
	COP	W/W	5.02	4.98	5.00	4.60
Heating (LWT 55 °C / OAT 7 °C)	Capacity	kW	4.00	6.00	8.00	10.00
	Power Input	kW	1.49	2.18	2.82	3.66
	COP	W/W	2.69	2.75	2.84	2.73
Space heating Average climate water outlet 35°C	SCOP	-	5.00	4.80	4.90	4.85
	ns	%	197	189	193	191
	Energy class	-	A+++	A+++	A+++	A+++
Space heating Average climate water outlet 55°C	SCOP	-	3.45	3.38	3.32	3.30
	ns	%	135	132	130	129
	Energy class	-	A++	A++	A++	A++
Cooling (LWT 18 °C / OAT 35 °C)	Capacity	kW	4.00	6.00	8.00	10.00
	Power Input	kW	0.85	1.26	1.9	2.50
	EER	W/W	4.70	4.75	4.20	4.00
Cooling (LWT 7 °C / OAT 35 °C)	Capacity	kW	4.00	6.00	8.00	9.00
	Power Input	kW	1.29	1.97	2.63	3.00
	EER	W/W	3.10	3.05	3.04	3.00
Indoor Unit			HU062WAMNA	HU062WAMNA	HU102WAMNA	HU102WAMNA
Leaving water temperature range	Heating	°C	15-60	15-60	15-60	15-60
	Cooling	°C	5-25	5-25	5-25	5-25
Sound power level		dB(A)	42	42	42	42
Backup electric heater capacity	Capacity	kW	1+3	1+3	1+3	1+3
	Levels	-	3	3	3	3
Expansion vessel capacity		L	5	5	5	5
Pump	Type	-	Variable speed	Variable speed	Variable speed	Variable speed
	Power input	W	75	75	75	75
Water flow rate		L/min	11.5	17	23	28.7
Water pipe connection	Inlet/Outlet	inch	R 1	R 1	R 1	R 1
		mm(inch)	6.35 (1/4)	6.35 (1/4)	9.52 (3/8)	9.52 (3/8)
Pipe diameter	Liquid	mm(inch)	15.88 (5/8)	15.88 (5/8)	15.88 (5/8)	15.88 (5/8)
	Gas	mm(inch)	15.88 (5/8)	15.88 (5/8)	15.88 (5/8)	15.88 (5/8)
Net dimension	(HxWxD)	mm	850 × 480 × 310	850 × 480 × 310	850 × 480 × 310	850 × 480 × 310
Packing dimension	(HxWxD)	mm	1020 × 580 × 460	1020 × 580 × 460	1020 × 580 × 460	1020 × 580 × 460
Net / Gross weight		kg	41 / 53	41 / 53	43 / 55	43 / 55
Power supply		-V/Hz	1/220-240/50	1/220-240/50	1/220-240/50	1/220-240/50
Max running current		A	20	20	20	20
Built-in circuit breaker		A	63	63	63	63
Outdoor Unit			AW042SSCHA	AW062SSCHA	AW082SNCHA	AW102SNCHA
Outdoor operating temperature range	Cooling	°C	10-48	10-48	10-48	10-48
	Heating	°C	-25-35	-25-35	-25-35	-25-35
Compressor	Quantity	-	1	1	1	1
	Type	-	DC inverter twin rotary			
Refrigerant	Type	-	R32			
	Charge/CO2 Eq.	kg/T	1.2 / 0.81	1.2 / 0.81	1.6 / 1.08	1.6 / 1.08
Pipe diameter	Liquid	mm(inch)	6.35 (1/4)	6.35 (1/4)	9.52 (3/8)	9.52 (3/8)
	Gas	mm(inch)	15.88 (5/8)	15.88 (5/8)	15.88 (5/8)	15.88 (5/8)
Max refrigerant pipe length		m	30	30	50	50
Max height difference between ODU&IDU		m	20	20	30	30
Pipe length without additional charge		m	10	10	10	10
Additional charging volume		g/m	20	20	38	38
Sound pressure level		dB(A)	44	45	49	53
Sound power level		dB(A)	58	61	65	68
Net dimension	(HxWxD)	mm	765 × 920 × 372	765 × 920 × 372	965 × 950 × 370	965 × 950 × 370
Packing dimension	(HxWxD)	mm	980 × 1050 × 500	980 × 1050 × 500	1090 × 1030 × 480	1090 × 1030 × 480
Net / Gross weight		kg	55 / 67	55 / 67	76 / 86	76 / 86
Power supply		-V/Hz	1/220-240/50	1/220-240/50	1/220-240/50	1/220-240/50
Max running current		A	12.5	13	19	22
Recommended circuit breaker		A	16	16	25	32
External wired controller			HW-WA101DBT (Optional)			



R32



A+++/A++



Max. 60°C
hot water



Climate Curve



2 Zone Control



Turbo Mode



Smart Grid



Modbus



DHW Tank
Solar Control



Pool Heating

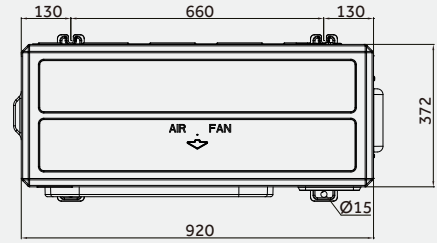
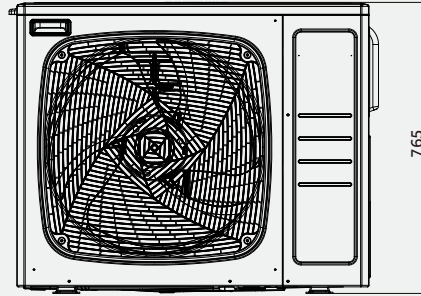
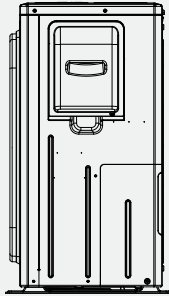


Anti-freezing

SPLIT HE R32

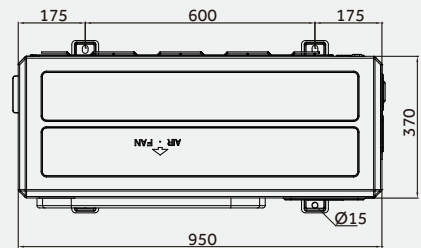
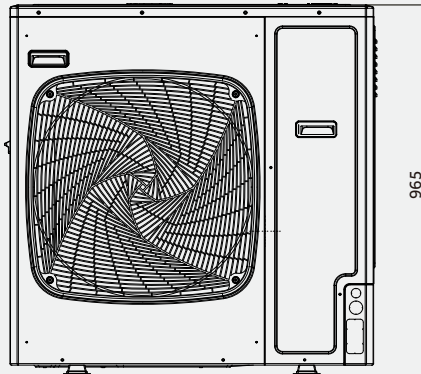
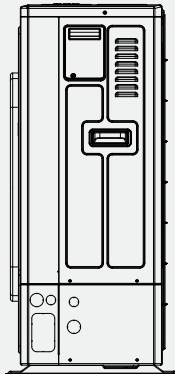
SPLIT HE

AW042SSCHA
AW062SSCHA



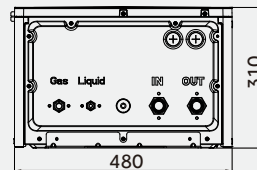
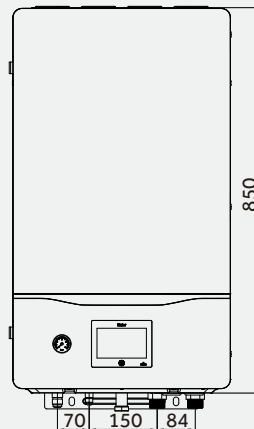
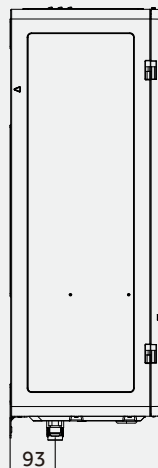
SPLIT HE

AW082SNCHA
AW102SNCHA



SPLIT HE (INDOOR)

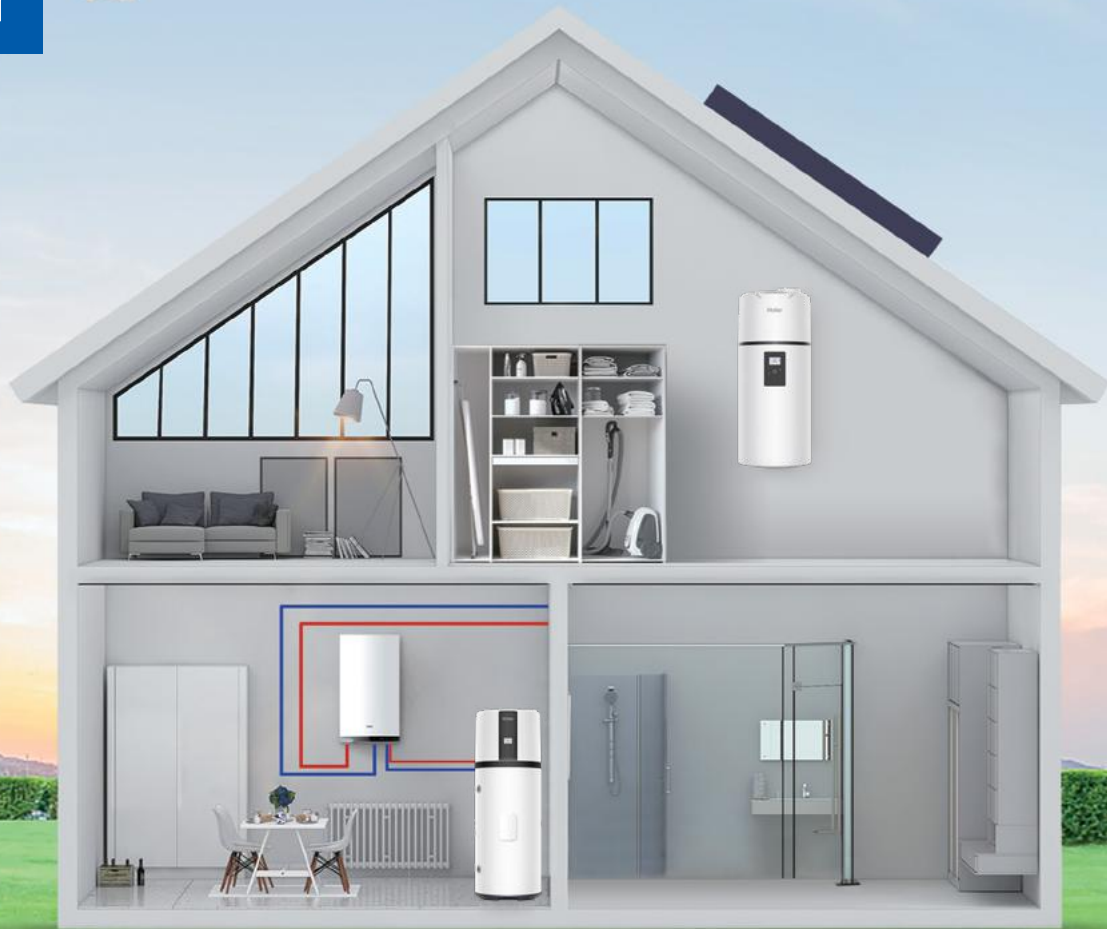
HU062WAMNA
HU102WAMNA



A white bathtub is shown in a dark room, with water and bubbles inside. In the background, a window with a wooden frame looks out onto a lush green garden with small orange flowers. The overall scene is dimly lit, emphasizing the white tub and the bright window.

HEAT PUMP WATER HEATER





NEW 2024

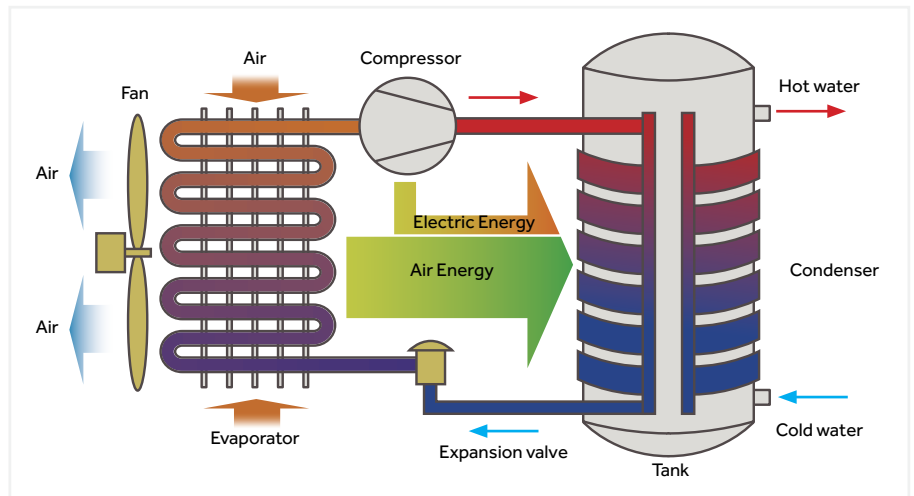
WHAT IS AN HEAT PUMP WATER HEATER?

Our range of Heat Pump Water Heaters provides a direct solution to your hot water necessities. It combines the renewable energy of an aérothermal source with a storage capacity of 80-300 L, allowing adaptations to a wide range of applications ranging from small homes to light commercial scenarios. This system will provide domestic hot water at a fraction of the cost of older technologies, the installation = only involves water piping, therefore it is suitable for renewing previous hot water installations easily and conveniently. Furthermore in 2024 we introduced the new R290 Heat Pump Water Heater range which is both greener and more efficient.

HOW IT WORKS?

To understand the concept of heat pumps, imagine a refrigerator working in reverse. While a refrigerator removes heat from an enclosed box and expels that heat to the surrounding air, a HPWH takes the heat from surrounding air and transfers it to water in an enclosed tank.

A refrigerant changes state, through compression and expansion cycles, absorbing the heat in the air at low temperature and transferring it to domestic water at a higher temperature.



CONDENSER DESIGN



MICRO-CHANNEL CONDENSER

The micro-channel condenser has larger contact surface for better heat transfer performance and less refrigerant consumption.



BOTTOM COIL

An extra coil fitted to the bottom of the tank increases the heat exchange area to deliver more hot water and contributes to better efficiency.

CONDENSER MICRO-CHANNEL VS COIL PIPE



Multiple channel design

Every piece of a micro-channel condenser has 18 micro-channels, which compared to the single-channel coil pipes offer much more contact surface.



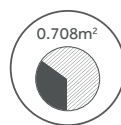
Titanium - aluminum alloy for better corrosion & heat resistances

Micro-channel: 1500 hours salt spray test coil pipe: 200 hours salt spray test



Reduces the pressure drop which improves compress efficiency by 6%

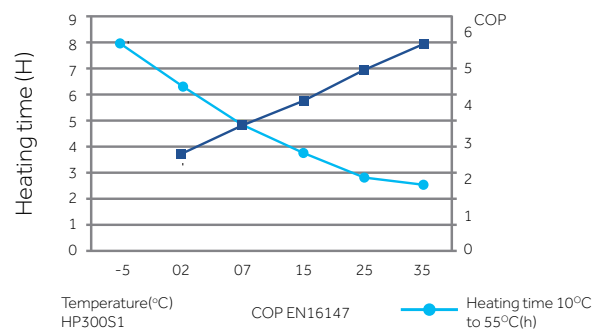
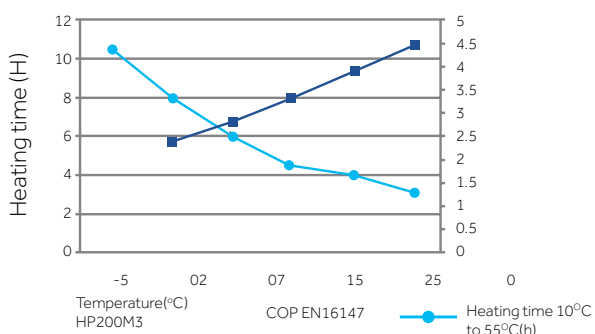
Micro-channel: pressure drop 0.03Mpa
Coil pipe: pressure drop 0.15Mpa



Larger contact surface improves heat transfer efficiency by 30%



Micro-channel: contact surface 0.708m²
Coil pipe: contact surface 0.236m²

PERFORMANCE CURVE



The data in this catalogue is purely indicative as the data may vary. Please be advised to check the accuracy of the data with the supplier before purchasing products.

HPWH MODEL LINEUP

SERIES	MONOBLOC	
	 M8 NEW	 M7 NEW
80L	●	-
110L	●	-
150L	●	-
200L	-	●
200L With Solar	-	●
250L	-	●
250L With Solar	-	●
300L	-	-

SERIES	MONOBLOC	
Product Code	NEW M8 HP80M8-9(UK) HP110M8-9(UK) HP150M8-9(UK)	NEW M7 HP200M7-F9(UK) HP200M7C-F9(UK) HP250M7-F9(UK) HP250M7C-F9(UK)
Description	Monobloc type heat pumps are packaged equipment, which includes all hydraulic components. It consists of only one outdoor unit. The advantage of the monobloc system is easy installation and no additional refrigerant piping requirement.	
SG ready	●	●
Solar connection	-	● (200C & 250C)
Exhaust	●	●
hOn WiFi	●	●
Refrigerant	R290	R290
Max. water temperature	65°C	65°C
Energy rating	A+	A+
Mute Mode	36dB(A)	36dB(A)
COP @14°C	3,39	3,50
Micro channel condenser	●	●
Inverter	-	●
DC motor	●	●
Electr. Heater	1,200W	1,500W
Smart defrost	●	●
Tank material	Enamel	Enamel
Display	●	●
Modes	Auto, Eco, Boost, Vac	Auto, Eco, Boost, Vac
Sterilisation	75°C	75°C

ECO R290 REFRIGERANT



R290 Refrigerant, More Eco-friendly

In order to achieve carbon neutrality and mitigate the impact of global warming, Haier is introducing a series air source heat pump water heaters using R290 natural refrigerant. This advanced household water solution, offer sustainable, green and comfortable hot water solutions.



Excellent Thermodynamic Performance

The R290 refrigerant offers excellent thermodynamic performance, allowing for higher water temperatures to meet various application demands.

Higher Water Temperatures for Shower and Bacterial Proof

For Showers



For Bacterial Proof



Up to 65°C Water Temperature

The HPWH works alone to deliver water temperature as high as 65°C, and the water mixing rate at 40 °C can reach 130%*. The equivalent to 30% capacity increase, saving power and enjoying required hot water supply.



Natural, Non-toxic, and Free of Ozone Depletion

The R290 is a high-purity propane refrigerant with a global warming potential (GWP) of 3. This indicates that it will contribute less to ozone depletion compared to other alternatives.



MULTI-ENERGY CONNECTED

Multi-energy Connected

Combine with boiler, solar thermal, PV, save energy and reduce costs.



Solar Water Heater & Heat Pump Water Heater

Priority given to solar energy, which greatly reduces energy costs for users.

Gas Boiler & Heat Pump Water Heater

As a compensatory energy source for heat pumps to achieve higher water temperatures.



PV & Heat Pump Water Heater

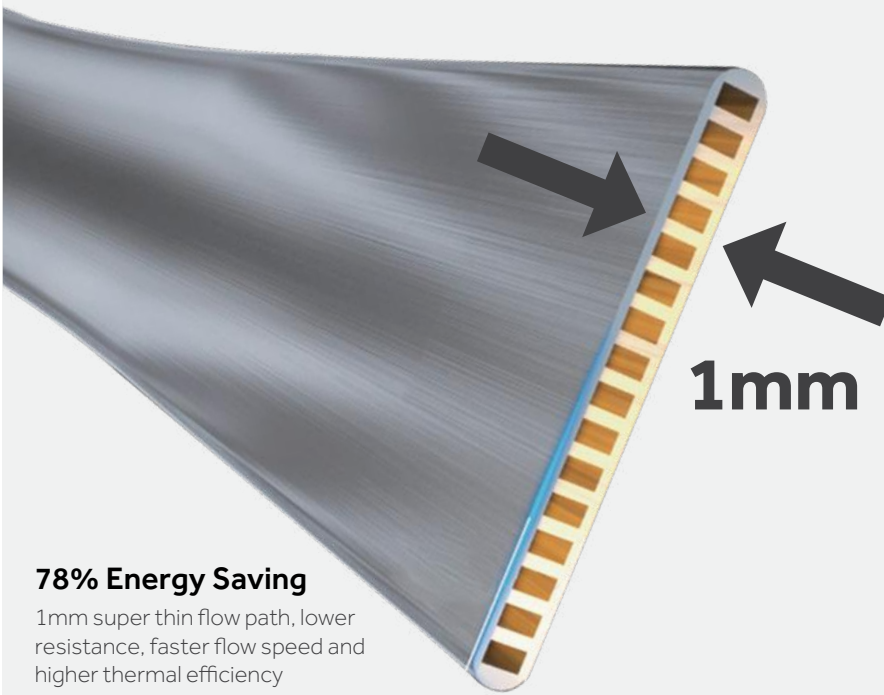
Select PV power to save electricity cost.

EFFICIENCY



Micro-channel Condenser Upgraded for R290 Refrigerant

The surface contact heat exchange area is larger, and the refrigerant is fully fed and heat is exchanged in a very small flow path, which greatly improves the efficiency of heat exchange compared to traditional heat exchangers.



78% Energy Saving

1mm super thin flow path, lower resistance, faster flow speed and higher thermal efficiency



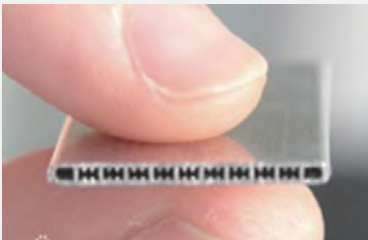
Increase heat transfer efficiency



Reduce power consumption



Improve Performance



Multi-path design with multiple ultra-fine micro-channels in each path, enabling more efficient heat transfer while reducing flow resistance and lowering power consumption, resulting in a performance improvement.



The larger heat transfer surface area leads to an increase in heat transfer efficiency.



Uniform heating with temperature differences of within 4°C between the upper and lower layers, minimal stratification of hot water, outperforming copper pipe heat exchangers, and effectively reducing power consumption.



Dual Power Heating, Enables Faster Hot Water Production

The dual power heating mode of air energy and electric energy is adopted. The electric heating (1500W electric auxiliary) can be started at the same time to improve the heating efficiency in case of low temperature in the winter urgent need of a large amount of hot water, this achieves fast heating of the tank of water in a short time.



Smart Defrost, More Efficient and Energy Saving

Haier's smart defrosting control system is equipped with a four-way valve and an electronic expansion valve with higher refrigerant flow control accuracy, the defrosting effect is more sufficient, so that it is not easy to frost in low temperature conditions.

Monitor

Determine

Defrost

Haier

When tested at 7/6°C, the evaporator's frosting condition.

VS

OTHERS

When tested at 7/6°C, the evaporator's frosting condition.



A Quiet Home, A Comfortable Life

Haier's advanced 2.0 noise reduction system, including DC motor and patent air supply structure, guarantees whisper-quiet operation without compromising performance.



SMART & CONVENIENT

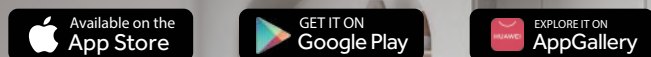


Connect and Control from Anywhere, Anytime

Haier's R290 range of air source heat pump water heater can be operated from your mobile devices via WiFi. With the hOn app, you can easily control the heat pump anytime from anywhere.

hOn App: Your Smart Life Companion

Your appliance can be connected to your home wireless network and operated remotely using the app.



Getting started

- 1 Ensure that your home WiFi network is turned on
- 2 After startup, it will enter fast pairing mode without the need for manual operation
- 3 If the connection is successful, the WiFi icon will always be on

On your mobile device

- 1 Download the app from hon-smarthome.com
- 2 Register and create an account
- 3 Add your appliance and set up the WiFi connection.

88 Large Screen Display



Auto Mode

Automatically heats water to set temperature and maintains it.



ECO Mode

In this mode, priority of heat pump heating; User entered timer settings.



ELEC Mode

In this mode, the backup element is used as the only heat source. This function ensures hot water supply if the heat pump is not working properly.



BOOST Mode

Heat pump and backup element are activated at the same time.



VAC Mode

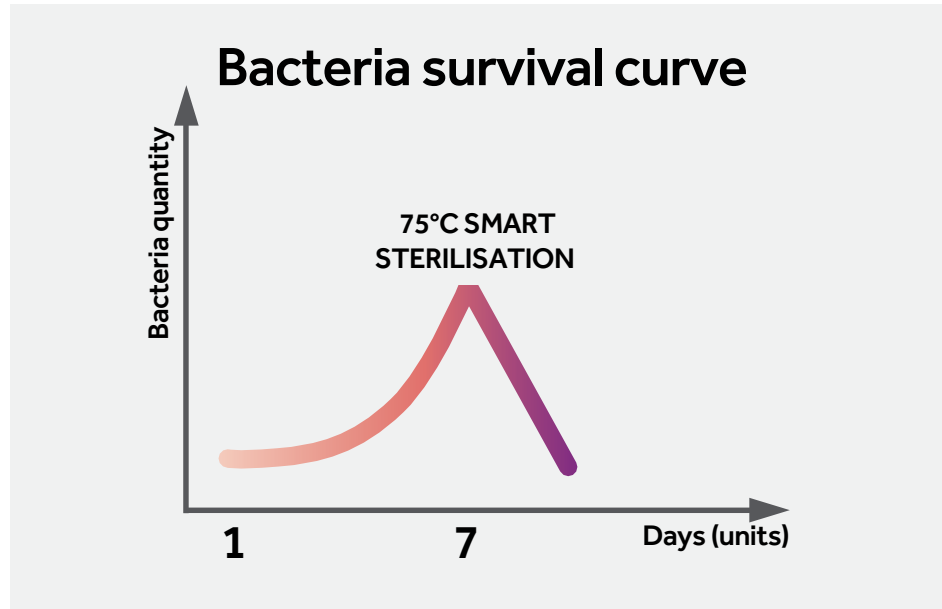
Maintains a minimum temperature to prevent freezing.

HEALTHY



75°C Smart Sterilisation

The system automatically heats the water once every 7 days by 75°C to sterilise against diseases such as legionella. During vacation the system will automatically sterilise the day before the end of the holiday.



HIGH QUALITY & DURABLE



High-quality Enamel Tank, Longer Service Time

High-quality enamel tank, featuring an exclusive design for water heaters, offers a longer service life and stable performance.



- 1 Professional Quality**
 Haier has upgraded its enamel technology to enhance uniformity and create a high-density enamel tank that is resistant to corrosion, acid, alkali, and extremely durable.
- 2 Advanced Formula**
 By using high-quality enamel powder (made in the USA) and upgrading the formula to eliminate the pinhole, the granule weight will be lighter and the anti-corrosion performance will be better.
- 3 Production Technology**
 The enamel material is melted at super high temperature, the enamel layer will isolate the water and steel plate to prevent rust and scale. The tank will have longer service life.



Anti-Freeze

The Heat pump will auto heat to 15°C when the ambient temperature reaches below 2°C and the water temperature is below 7°C

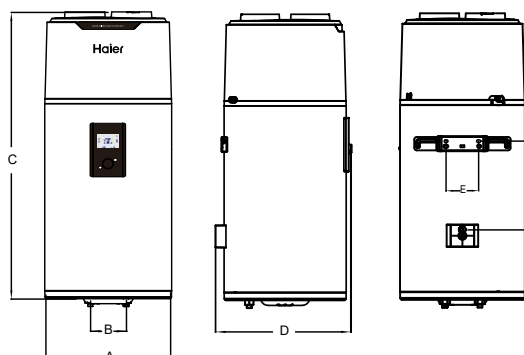
R290 HPWH



M8 HPWH R290 NEW 2024



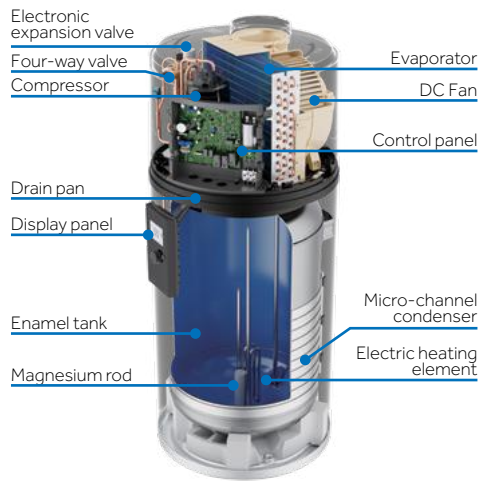
HP80M8-9(UK) - HP110M8-9(UK) - HP150M8-9(UK)



Model	A	B	C	D	E	F
HP80M8-9(UK)	492	140	1170	537	159	360
HP110M8-9(UK)	492	140	1320	537	159	360
HP150M8-9(UK)	492	140	1680	537	159	470

Unit: mm

M8 TECHNICAL PARAMETERS



FEATURES

- The R290 refrigerant offers excellent thermodynamic performance, allowing for higher water temperatures
- Full inverter technology and micro-channel condenser, resulting in lower energy consumption and higher heating efficiency
- Micro-channel condenser upgraded for R290 refrigerant
- Dual power heating, enables faster hot water production
- Equipped with a TFT screen and smart connectivity
- Easy installation, with simple design structure for wall mounting

Model		HP80M8-9(UK)	HP110M8-9(UK)	HP150M8-9(UK)
Tank volume	L	82	102	149
Rated voltage/ frequency	V/Hz	220-240/50	220-240/50	220-240/50
Tank rated pressure	bar	8	8	8
Corrosion protection		Magnesium rod	Magnesium rod	Magnesium rod
Water proof grade		IPX4	IPX4	IPX4
Performance				
Type of extraction		Ambient/Exterior	Ambient/Exterior	Ambient/Exterior
COP@7°C/EN16147		2.91	2.72	3.03
COP@14°C/EN16147		3.07	2.90	3.39
Tapping cycle		M	M	L
Power input by electric backup		1200	1200	1200
Rated power input by heat pump	W	250	250	250
Maximum power input by heat pump	W	370	370	370
Maximum power input	W	1570	1570	1570
Standby power input/Pes	W	15.3	18.7	22.5
Max volume of usable hot water at 40°C setting at 55°C	L	103.8	128.3	190
Heating up time (7°C)	h	4.44	5.64	8.62
Heating up time(14°C)	h	3.8	4.79	7.18
Default temperature setting	°C	55	55	54
Temperature setting range-with heater	°C	35-75	35-75	35-75
Maximum length of air duct	m	36	36	36
Diameter of air duct connection	mm	160	160	160
Max air quantity	m ³ /h	375	375	375
Max working pressure of refrigerant	MPa	1.0/3.3	1.0/3.3	1.0/3.3
Refrigerant type/weight	kg	R290/0.12	R290/0.12	R290/0.12
Noise power	dB(A)	50	50	50
Ambient temperature for use of product	°C	-7-45	-7-45	-7-45
Operating temperature of heat pump	°C	-7-45	-7-45	-7-45
Dimensions and connections				
Water inlet and outlet connection		R1/2" M Large Flow	R1/2" M Large Flow	R1/2" M Large Flow
Safety valve connection		R1/2" M	R1/2" M	R1/2" M
Drain&Water inlet connection		R1/2" M	R1/2" M	R1/2" M
Product dimensions	(mm)	492 × 537 × 1170	492 × 537 × 1320	492 × 537 × 1680
Packing dimensions without pallet	(mm)	587 × 587 × 1247	587 × 587 × 1397	587 × 587 × 1894
Packing dimensions with pallet	(mm)	/	/	587 × 587 × 1894
Net/Gross weight	kg	51/58	54/62	64/83

*The COP and noise level data was tested in Haier lab.

The COP values obtained with external air temperature of 7°C and 14°C, inlet water temperature of 10°C and set temperature of 55°C (according to EN 16147).

The data in this catalogue is purely indicative as the data may vary. Please be advised to check the accuracy of the data with the supplier before purchasing products.



R290



Micro-Channel Condenser



Up to 65°C



Dual Power Heat



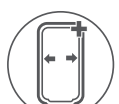
Child Lock



36dB



hOn Wifi



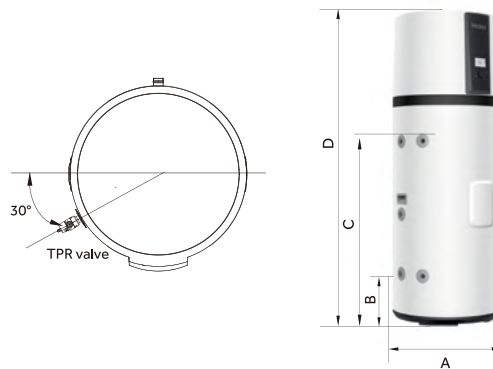
Enamel Tank



M7 HPWH R290 NEW 2024



HP200M7-F9(UK) - HP250M7-F9(UK) - HP200M7C-F9(UK) - HP250M7C-F9(UK)

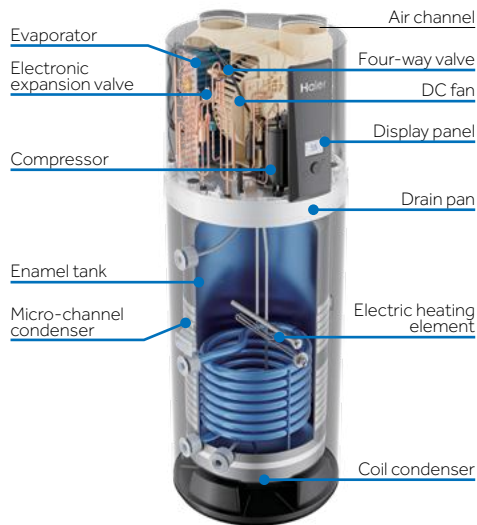


Model	A	B	C	D
HP200M7-F9(UK)	620	270	980	1694
HP250M7-F9(UK)	620	270	1275	1989
HP200M7C-F9(UK)	620	270	980	1694
HP250M7C-F9(UK)	620	270	1275	1989

Unit: mm

The data in this catalogue is purely indicative as the data may vary. Please be advised to check the accuracy of the data with the supplier before purchasing products.

M7 TECHNICAL PARAMETERS



FEATURES

- The R290 refrigerant offers excellent thermodynamic performance, allowing for higher water temperatures
- Full inverter technology and micro-channel condenser, resulting in lower energy consumption and higher heating efficiency
- Micro-channel condenser upgraded for R290 refrigerant
- Dual power heating, enables faster hot water production
- Equipped with a TFT screen and smart connectivity
- Easy install

Model		HP200M7-F9(UK)	HP200M7C-F9(UK)	HP250M7-F9(UK)	HP250M7C-F9(UK)
Total cylinder capacity	L	194	185	250	240
Rated voltage/frequency	V/Hz	220-240/50	220-240/50	220-240/50	220-240/50
Tank Max pressure	bar	7	7	7	7
Thermal insulation	mm	50	50	50	50
Corrosion protection		Magnesium rod	Magnesium rod	Magnesium rod	Magnesium rod
Insulation protection rating		IPX4	IPX4	IPX4	IPX4
Performance					
COP@7°C(EN16147)		3.26	3.24	3.21	3.21
COP@14°C(EN16147)		3.50	3.50	3.45	3.45
Max air quantity	m ³ /h	300	300	300	300
Power input by electric backup	W	1500	1500	1500	1500
Rated power input by heat pump	W	320	320	320	320
Maximum power input by heat pump	W	535	535	535	535
Maximum power input	W	2035	2035	2035	2035
Heating water capacity	L/h	24	24	24	24
Heating up time(10°C/55°C)@7°C	h	7.8	6.71	10.51	10.09
Default temperature setting	°C	65	65	65	65
Temperature setting range-with heater	°C	35-75	35-75	35-75	35-75
Maximum temperature output for the heat pump only	°C	65	65	65	65
Refrigerant type/weight	kg	R290/0.15	R290/0.15	R290/0.15	R290/0.15
Noise power dB(A) @7°C	dB(A)	50	50	50	50
Sound pressure at 1m	dB(A)	36	36	36	36
V40 @7°C	L	234	229	313	314.4
Ambient temperature of heat pump	°C	-7-45	-7-45	-7-45	-7-45
Dimensions and connections					
Water inlet and outlet connection		Rp 3/4 Large Flow	Rp 3/4 Large Flow	Rp 3/4 Large Flow	Rp 3/4 Large Flow
TPR valve connection		Rp 3/4	Rp 3/4	Rp 3/4	Rp 3/4
Drain & water inlet connection		Rp 3/4	Rp 3/4	Rp 3/4	Rp 3/4
Product dimensions	(mm)	600 × 620 × 1694	600 × 620 × 1694	600 × 620 × 1989	600 × 620 × 1989
Packing dimension with pallet	(mm)	736 × 695 × 1940	736 × 695 × 1940	736 × 695 × 2250	736 × 695 × 2250
Net/gross weight	kg	86/109	96/119	98/121	107/131
Filled weight of the appliance	kg	281	282	345	348

*The COP and noise level data was tested in Haier lab.
The COP values obtained with external air temperature of 7°C and 14°C, inlet water temperature of 10°C and set temperature of 55°C (according to EN 16147).



Micro-Channel Condenser



Up to 65°C



Dual Power Heat



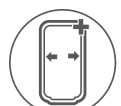
Child Lock



36dB



hOn Wifi



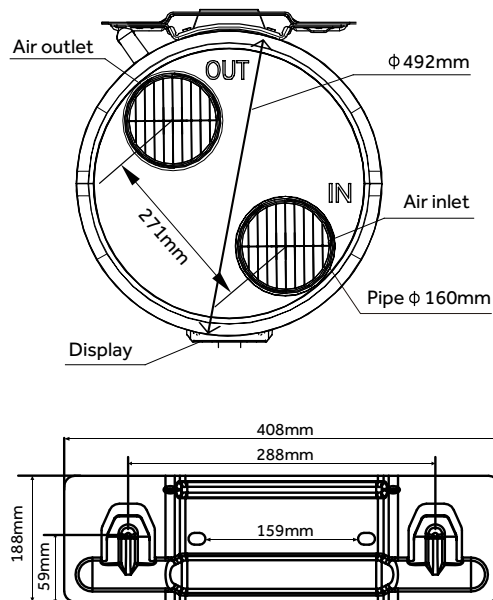
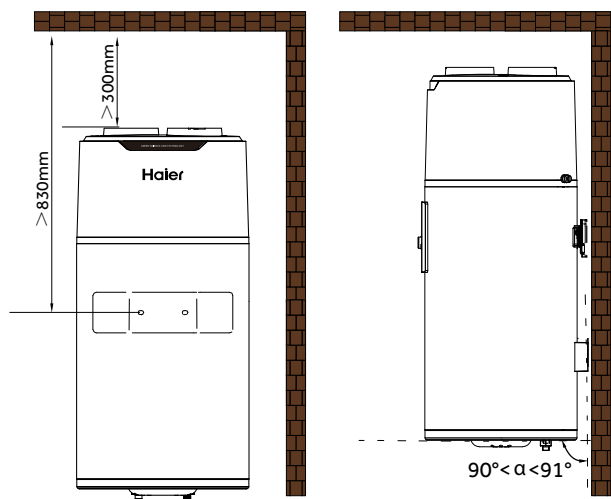
Enamel Tank



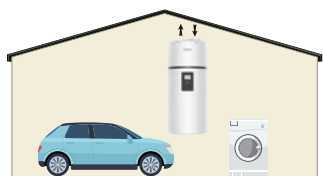
M8 INSTALLATION

Easy Install

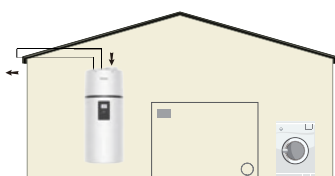
Smart hanger structure design, without complex actions, just fix the wall hanging board on the load-bearing wall, lift the machine, and align the back hanger with the wall hanging board to hang in, more convenient installation.



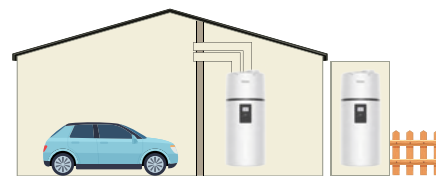
After the installation is completed, it is necessary to use a level ruler to check whether the support is maintained in a horizontal state.



Garage or laundry room (without ducts)



Laundry room (with one duct)



Habitable room or outside air (with two ducts)

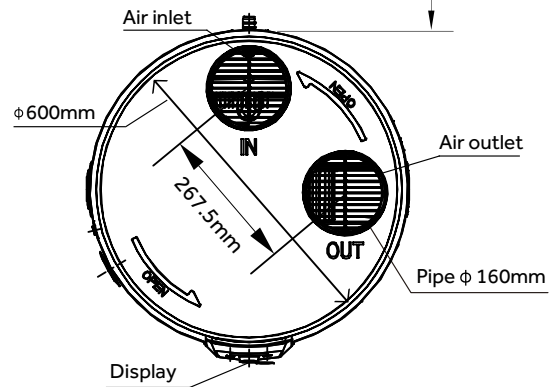
M7 INSTALLATION

Easy Install

Smart and simple wall mount design for easy installation. Simply fix the wall hanging board on the load-bearing wall, lift the machine in place, and align to the back hanger to hang in.



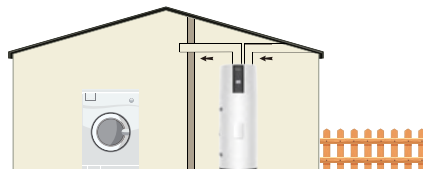
> 1000mm



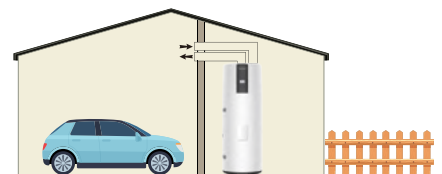
> 1000mm



Installation in an unheated room >15m²



Installation with 2 ducts to the outside

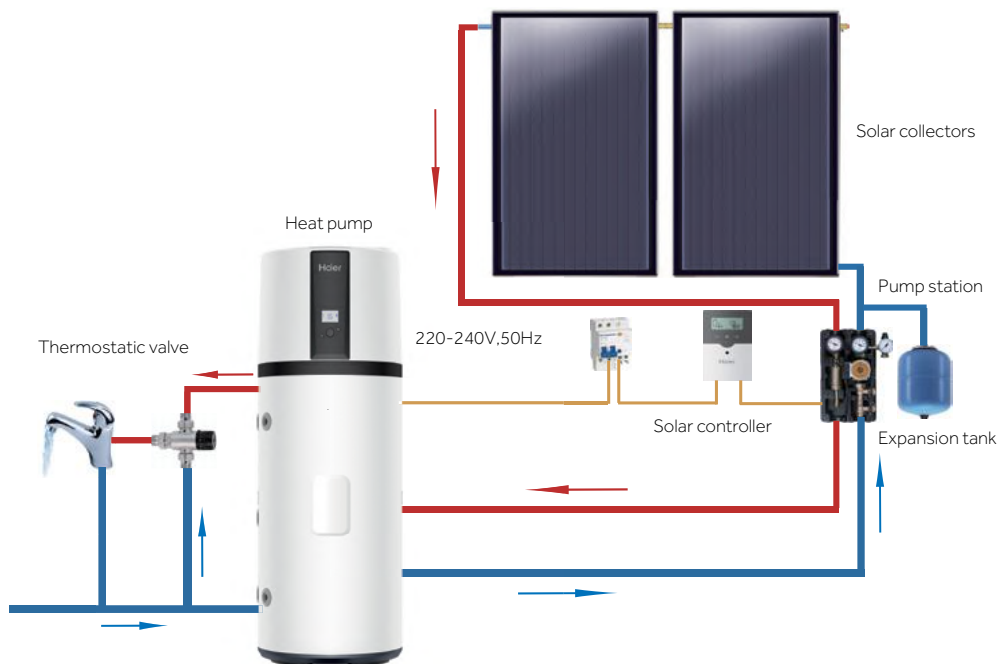


Installation with 2 ducts to an unheated room >15m²

CONNECTIONS

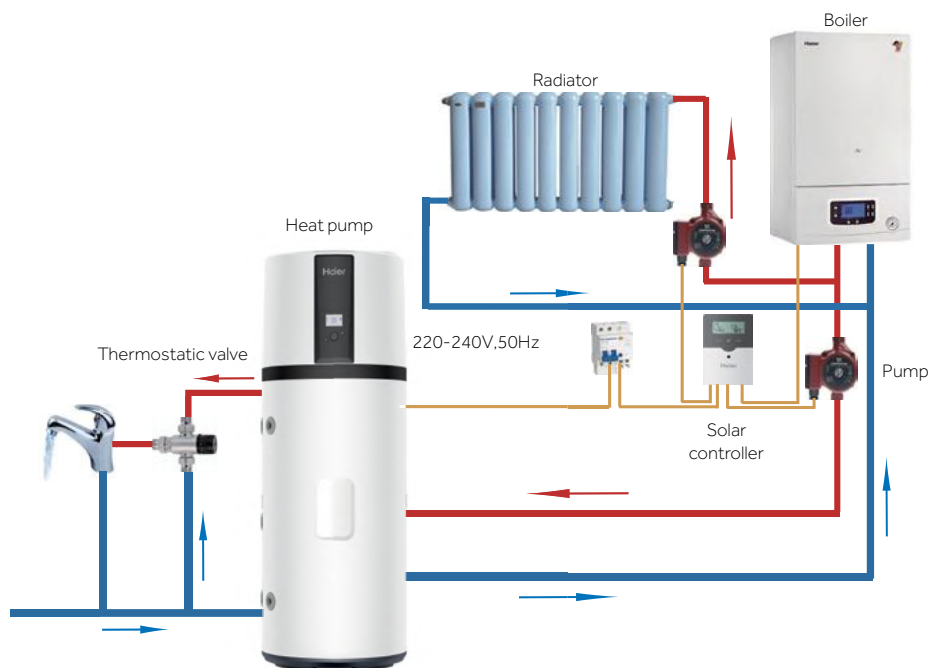
CONNECTION TO SOLAR COLLECTORS

HP200M7C-F9(UK) – HP250M7C-F9(UK) – HP250M3C



CONNECTION TO GAS BOILER

HP200M7C-F9(UK) – HP250M7C-F9(UK) – HP250M3C



CONTROL PANELS

HPWH



TFT display with smart connectivity - simple and user friendly touch control allows access to the 4 working modes

AUTO MODE

The Heat pump will work in priority with the electric heater as a backup.

ECO MODE

The Heat pump uses off-peak electricity to minimise the expenses.

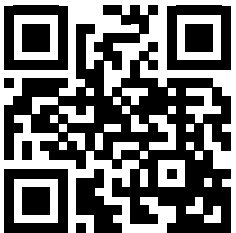
BOOST MODE

The Heat pump and electric heater starts up at same time to deliver hot water as fast as possible.

HOLIDAY MODE

The unit stays in stand by mode during the vacation and then restarts in auto mode to prepare enough hot water just one day before the user returns from vacation.

Haier
HVAC Solutions



Haier HVAC
haierhvac.eu