

**Haier**  
Heating

**NEW**  
**R290 A2W**  
**RANGE**

---

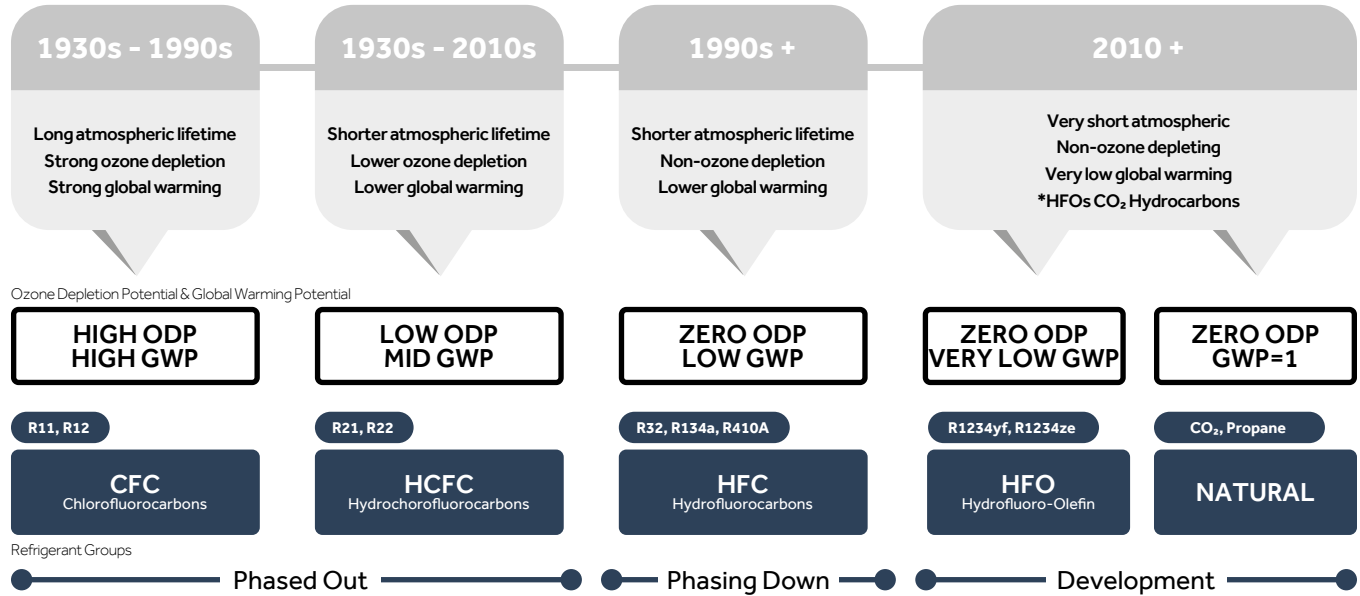
Eco-Friendly and High Efficiency Heating solutions with advanced technology



Haierhvac.eu

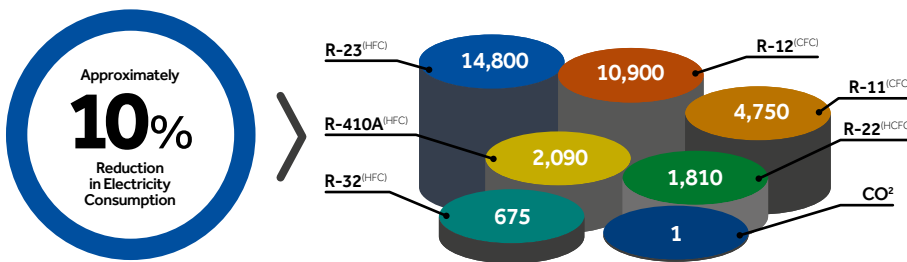
# New R290 A2W Range

## TRANSITION TOWARDS LOWER GWP REFRIGERANTS

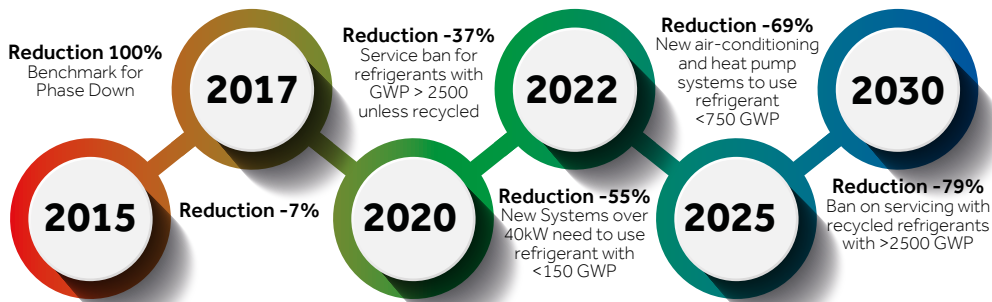
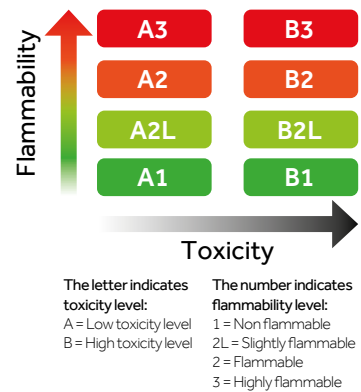


### 100 YEAR GLOBAL WARMING POTENTIAL OF DIFFERENT REFRIGERANTS\*

Source: Values for 100 Global warming potential (GWP) from IPCC Fourth Assessment Report. Comparative 100 year GWP. HFC410A, 2,090; HFC32, 675\*



### SAFETY GROUP



<b>R290</b> Refrigerant type: <b>Natural</b> GWP: <b>3</b> Safety Group: <b>A3</b>	<b>R744</b> (CO <sub>2</sub> ) Refrigerant type: <b>Natural</b> GWP: <b>1</b> Safety Group: <b>A1</b>
<b>R717</b> (Ammonia) Refrigerant type: <b>Natural</b> GWP: <b>0</b> Safety Group: <b>B2L</b>	<b>R32</b> Refrigerant type: <b>HFC</b> GWP: <b>675</b> Safety Group: <b>A2L</b>
<b>R410A</b> Refrigerant type: <b>HFC</b> GWP: <b>2090</b> Safety Group: <b>A1</b>	

## WHAT IS AN AIR TO WATER HEAT PUMP?

An air source heat pump also known as an Air-To-Water Heat Pump transfers heat from the outside air to water. This in turn heats the space via radiators or underfloor heating. It can also heat water stored in a hot water cylinder for hot water taps, baths and showers.

The Haier Air to Water Heat Pump range uses free renewable energy from the outside air as a heat source for space heating and providing domestic hot water. This energy efficient and




environmentally friendly solution substantially reduces energy consumption, running cost and CO<sub>2</sub> emissions in heating compared to conventional oil and gas boilers. The system draws energy from the outside air to create a high efficiency solution for your needs, with efficiencies of over 3:1 for power input

### How does an air source heat pump work?

Heat from the air is absorbed into a fluid. This fluid then passes through a heat exchanger into the heat pump, which raises the temperature and then transfers that heat to water.

## R290 Air to Water Model Lineup

Thanks to the excellent thermodynamic performance of R290 and advanced heat pump technology, the new Haier R290 high temperature series helps to reduce carbon emissions and achieve carbon neutrality goals.

TYPE	R290					
UNITS	 MONOBLOC GT		 HYDRO ALL IN ONE GT		 HYDRO SPLIT GT	
PHASES	Phase 1	Phase 3	Phase 1	Phase 3	Phase 1	Phase 3
4kW	● AW042MUGHA		● AW042HUGHA (HU102F20AHYA)		● AW042HUGHA HU102WAHYA	
5/6kW	● AW062MUGHA		● AW062HUGHA HU102F20AHYA		● AW062HUGHA HU102WAHYA	
7/8kW	● AW082MUGHA		● AW082HUGHA HU102F20AHYA		● AW082HUGHA HU102WAHYA	
9/10kW	● AW102MUGHA	● AW10NMUGHA	● AW102HUGHA HU102F20AHYA	● AW10NHUGHA HU102F20AHYAE3	● AW102HUGHA HU102WAHYA	● AW10NHUGHA HU10NWAHYAE3
11/12kW	● AW122MXGHA	● AW12NMXGHA	● AW122HVGHA HU162F20AHYA	● AW12NHVGHA HU162F20AHYAE3	● AW122HVGHA HU162WAHYA	● AW12NHVGHA HU16NWAHYAE3
14kW	● AW142MXGHA	● AW14NMXGHA	● AW142HVGHA HU162F20AHYA	● AW14NHVGHA HU162F20AHYAE3	● AW142HVGHA HU162WAHYA	● AW14NHVGHA HU16NWAHYAE3
15/16kW	● AW162MXGHA	● AW16NMXGHA	● AW162HVGHA HU162F20AHYA	● AW16NHVGHA HU162F20AHYAE3	● AW162HVGHA HU162WAHYA	● AW16NHVGHA HU16NWAHYAE3

# New MONOBLOC GT R290



ATW-A03



HW-WA101DBT  
(standard)

## Features



R290



A+++ / A+++



Max. 80°C hot water



Climate Curve



2 Zone Control



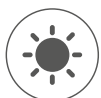
Auto Mode



Smart Grid



Modbus



DHW Tank Solar Control

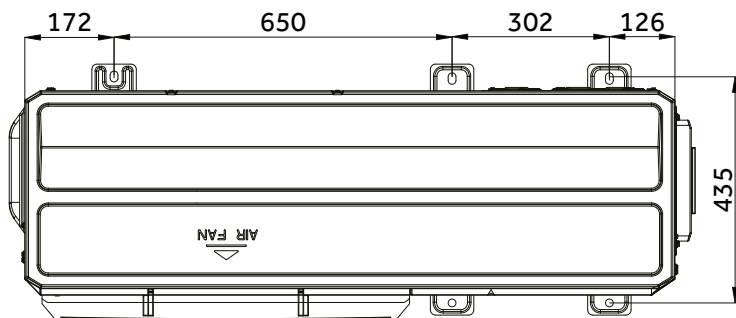
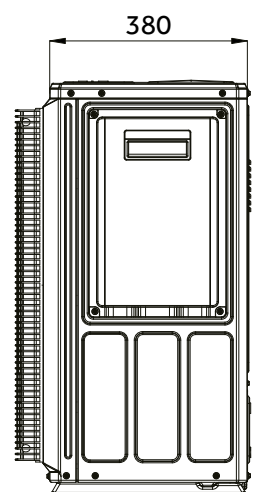
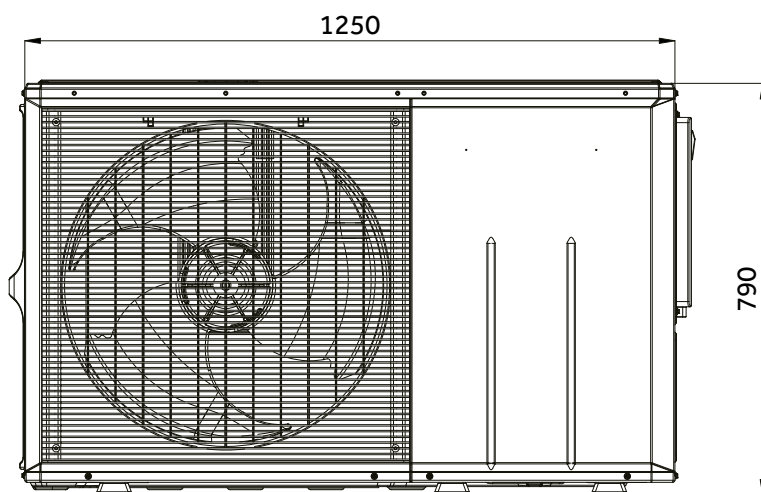


Pool Heating



Anti-freezing

## Technical Illustrations



### MONO GT

AW042MUGHA  
AW062MUGHA  
AW082MUGHA  
AW102MUGHA



4 kW

8 kW

6 kW

10 kW

# Haier

Product Data			Monobloc 4kW-1Ph	Monobloc 6kW-1Ph	Monobloc 8kW-1Ph	Monobloc 10kW-1Ph
Model			AW042MUGHA	AW062MUGHA	AW082MUGHA	AW102MUGHA
Heating (LWT 35°C / OAT 7°C)	Capacity	kW	4.00	6.00	8.00	10.00
	Power input	kW	0.73	1.12	1.50	1.96
	COP	-	5.50	5.35	5.35	5.10
Heating (LWT 55°C / OAT 7°C)	Capacity	kW	4.00	6.00	8.00	10.00
	Power input	kW	1.19	1.82	2.35	3.13
	COP	-	3.35	3.30	3.40	3.20
Space heating Average climate water outlet 35°C	SCOP	-	5.10	5.10	5.20	5.10
	ns	%	201	201	205	201
	Energy class	-	A+++	A+++	A+++	A+++
Space heating Average climate water outlet 55°C	SCOP	-	3.85	3.83	3.85	3.83
	ns	%	151	150	151	150
	Energy class	-	A+++	A+++	A+++	A+++
Cooling (LWT 18°C / OAT 35°C)	Capacity	kW	4.00	6.00	7.50	9.50
	Power input	kW	0.79	1.20	1.58	2.21
	EER	-	5.05	5.00	4.75	4.30
Cooling (LWT 7°C / OAT 35°C)	Capacity	kW	3.50	5.00	6.80	8.50
	Power input	kW	0.95	1.37	1.97	2.62
	EER	-	3.70	3.65	3.45	3.25
Outdoor operating temperature range	Heating	°C	-25 -35	-25 -35	-25 -35	-25 -35
	Cooling	°C	10 - 48	10 - 48	10 - 48	10 - 48
	DHW	°C	-25 -43	-25 -43	-25 -43	-25 -43
Leaving water temperature range	Heating	°C	20-80	20-80	20-80	20-80
	Cooling	°C	5-25	5-25	5-25	5-25
Storage temperature range(tank)	DHW	°C	25-75	25-75	25-75	25-75
Water piping connection	Inlet/Outlet	inch	R 1/R 1	R 1/R 1	R 1/R 1	R 1/R 1
Expansion tank		L	4.5	4.5	4.5	4.5
Compressor	Quantity	-	1	1	1	1
	Type	-	DC inverter twin rotary			
Refrigerant	Type	-	R290			
	Charge/CO2 Eq.	kg/t	0.8/2.4	0.8/2.4	0.9/2.7	0.9/2.7
Net dimension	(HxWxD)	mm	790 × 1250 × 380	790 × 1250 × 380	790 × 1250 × 380	790 × 1250 × 380
Packing dimension	(HxWxD)	mm	1022 × 1395 × 595	1022 × 1395 × 595	1022 × 1395 × 595	1022 × 1395 × 595
Net/Gross weight		kg	94/127	94/127	106/139	106/139
Sound Pressure level*(1)		dB(A)	44	47	48	49
Sound power level*(1)		dB	55	58	59	60
Power supply		V/-/Hz	220-240/1/50	220-240/1/50	220-240/1/50	220-240/1/50
Max. running current		A	13.5	13.5	18.6	18.6
Recommended circuit breaker		A	16.0	16.0	20.0	20.0
Accessory	Wired controller	-	HW-WA101DBT (Standard)			
	PCB Box	-	ATW-A03 (Standard)			
	Filter	-	Y-type (Standard)			

# New MONOBLOC GT R290



ATW-A03



HW-WA101DBT  
(standard)

## Features



R290



A+++ / A+++



Max. 80°C  
hot water



Climate Curve



2 Zone Control



Auto Mode



Smart Grid



BMS

Modbus



DHW Tank  
Solar Control

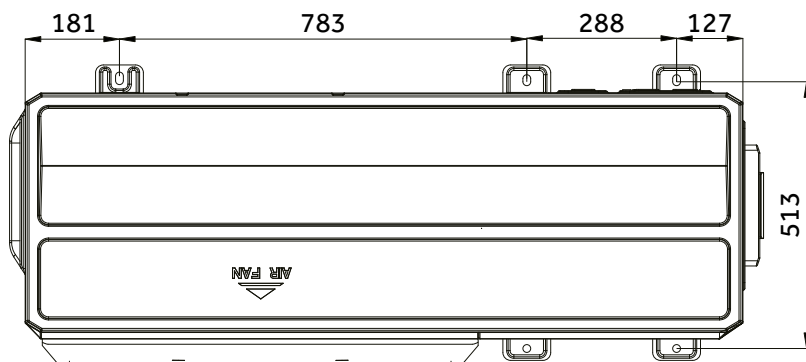
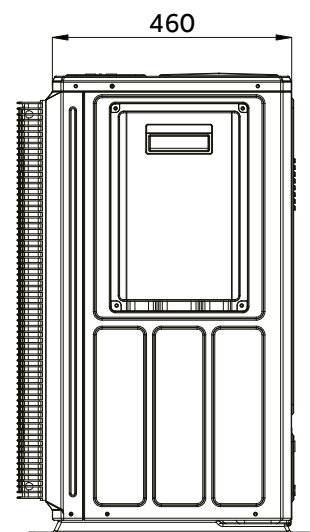
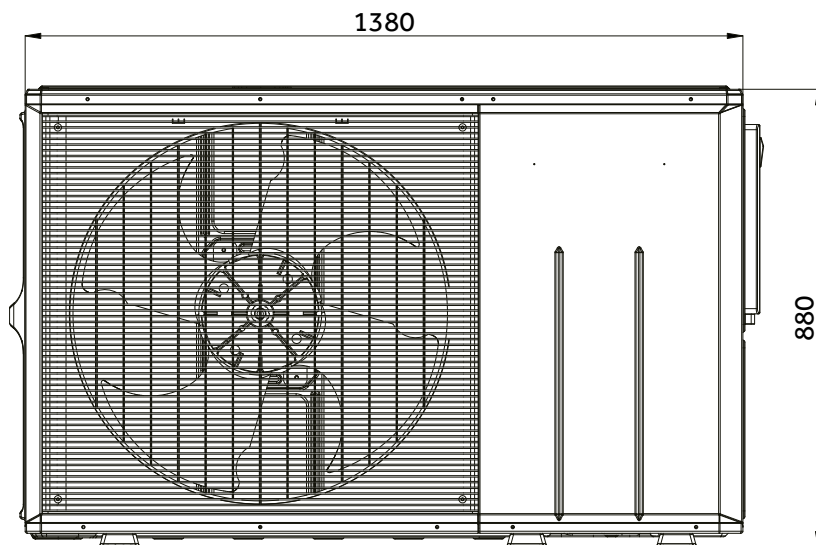


Pool Heating



Anti-freezing

## Technical Illustrations



### MONO GT

AW122MXGHA  
AW142MXGHA  
AW162MXGHA  
AW12NMXGHA  
AW14NMXGHA  
AW16NMXGHA

12 kW

14 kW

16 kW

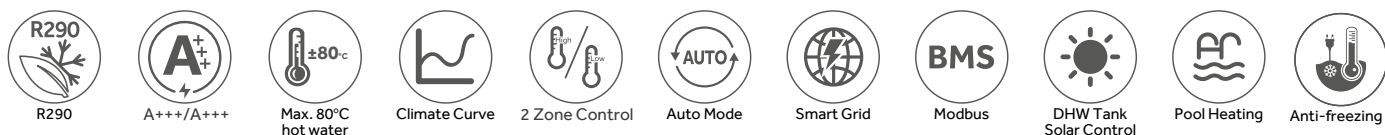
# Haier

Product Data			Monobloc 12kW-1Ph	Monobloc 14kW-1Ph	Monobloc 16kW-1Ph	Monobloc 12kW-3Ph	Monobloc 14kW-3Ph	Monobloc 16kW-3Ph
Model			AW122MXGHA	AW142MXGHA	AW162MXGHA	AW12NMXGHA	AW14NMXGHA	AW16NMXGHA
Heating (LWT 35°C / OAT 7°C)	Capacity	kW	12.00	14.00	16.00	12.00	14.00	16.00
	Power input	kW	2.35	2.83	3.23	2.35	2.83	3.23
	COP	-	5.10	4.95	4.95	5.10	4.95	4.95
Heating (LWT 55°C / OAT 7°C)	Capacity	kW	11.50	13.50	15.50	11.50	13.50	15.50
	Power input	kW	3.48	4.22	5.08	3.48	4.22	5.08
	COP	-	3.30	3.20	3.05	3.30	3.20	3.05
Space heating Average climate water outlet 35°C	SCOP	-	4.82	4.80	4.80	4.82	4.80	4.80
	ns	%	190	189	189	190	189	189
	Energy class	-	A+++	A+++	A+++	A+++	A+++	A+++
Space heating Average climate water outlet 55°C	SCOP	-	3.85	3.83	3.85	3.85	3.83	3.85
	ns	%	151	150	151	151	150	151
	Energy class	-	A+++	A+++	A+++	A+++	A+++	A+++
Cooling (LWT 18°C / OAT 35°C)	Capacity	kW	11.50	13.50	15.50	11.50	13.50	15.50
	Power input	kW	2.56	3.14	3.88	2.56	3.14	3.88
	EER	-	4.50	4.30	4.00	4.50	4.30	4.00
Cooling (LWT 7°C / OAT 35°C)	Capacity	kW	10.00	12.00	14.00	10.00	12.00	14.00
	Power input	kW	2.99	3.75	4.52	2.99	3.75	4.52
	EER	-	3.35	3.20	3.10	3.35	3.20	3.10
Outdoor operating temperature range	Heating	°C	-25 ~ 35	-25 ~ 35	-25 ~ 35	-25 ~ 35	-25 ~ 35	-25 ~ 35
	Cooling	°C	10 ~ 48	10 ~ 48	10 ~ 48	10 ~ 48	10 ~ 48	10 ~ 48
	DHW	°C	-25 ~ 43	-25 ~ 43	-25 ~ 43	-25 ~ 43	-25 ~ 43	-25 ~ 43
Leaving water temperature range	Heating	°C	20~80	20~80	20~80	20~80	20~80	20~80
	Cooling	°C	5~25	5~25	5~25	5~25	5~25	5~25
Storage temperature range(tank)	DHW	°C	25~75	25~75	25~75	25~75	25~75	25~75
Water piping connection	Inlet/Outlet	inch	R 1/R 1	R 1/R 1	R 1/R 1	R 1/R 1	R 1/R 1	R 1/R 1
Expansion tank	L		8	8	8	8	8	8
Compressor	Quantity	-	1	1	1	1	1	1
	Type	-	DC inverter twin rotary					
Refrigerant	Type	-	R290					
	Charge/CO2 Eq.	kg/t	1.05/3.15	1.05/3.15	1.25/3.75	1.05/3.15	1.05/3.15	1.25/3.75
Net dimension	(HxWxD)	mm	880 × 1380 × 460	880 × 1380 × 460	880 × 1380 × 460	880 × 1380 × 460	880 × 1380 × 460	880 × 1380 × 460
Packing dimension	(HxWxD)	mm	1112 × 1526 × 675	1112 × 1526 × 675	1112 × 1526 × 675	1112 × 1526 × 675	1112 × 1526 × 675	1112 × 1526 × 675
Net/Gross weight		kg	127/165	127/165	136/174	142/180	142/180	151/189
Sound Pressure level*(1)		dB(A)	52	53	55	52	53	55
Sound power level*(1)		dB	63	64	66	63	64	66
Power supply		V/-/Hz	220-240/1/50	220-240/1/50	220-240/1/50	380-415/3/50	380-415/3/50	380-415/3/50
Max. running current		A	30.6	30.6	34.8	10.2	10.2	11.6
Recommended circuit breaker		A	32.0	32.0	40.0	16.0	16.0	16.0
Accessory	Wired controller	-	HW-WA101DBT (Standard)					
	PCB Box	-	ATW-A03 (Standard)					
	Filter	-	Y-type (Standard)					

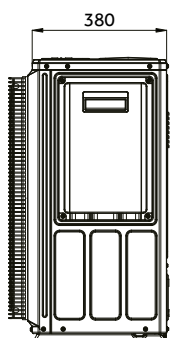
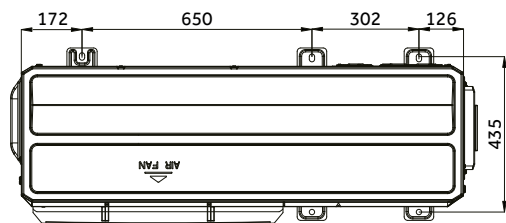
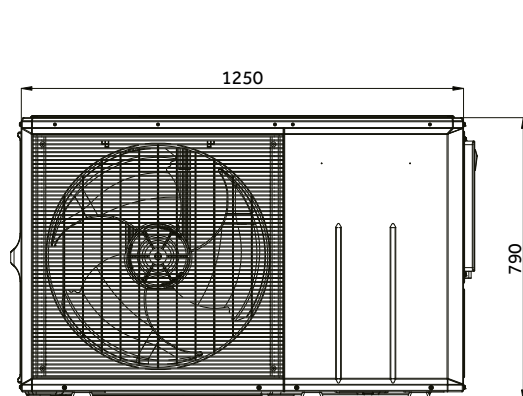
# New HYDRO ALL-IN-ONE GT R290



## Features

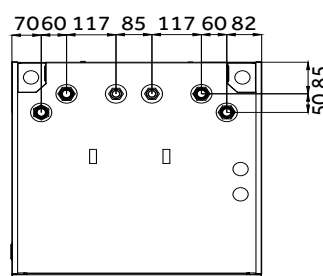
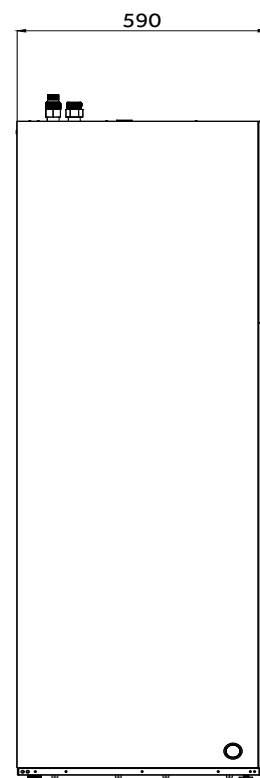
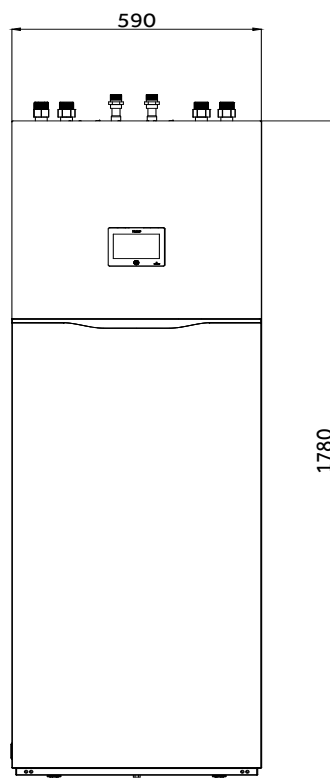


## Technical Illustrations



### HYDRO ALL-IN-ONE

AW042HUGHA  
AW062HUGHA  
AW082HUGHA  
AW102HUGHA  
  
AW10NHUGHA



### HYDRO ALL-IN-ONE

HU102F20AHYA  
HU162F20AHYA  
  
HU102F20AHYAE3  
HU162F20AHYAE3

4 kW

8 kW

6 kW

10 kW

Haier

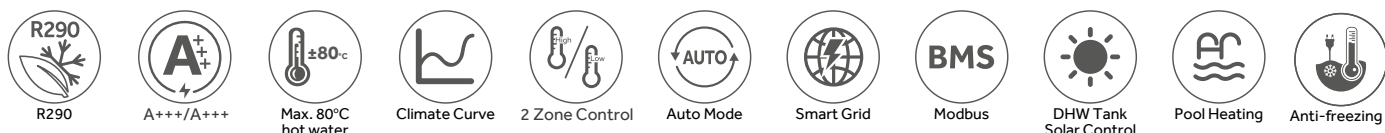
Model			Hydro All in One 4kW-1Ph	Hydro All in One 6kW-1Ph	Hydro All in One 8kW-1Ph	Hydro All in One 10kW-1Ph	Hydro All in One 10kW-3Ph
Heating (LWT 35°C / OAT 7°C)	Capacity	kW	4.00	6.00	8.00	10.00	10.00
	Power input	kW	0.73	1.12	1.50	1.96	1.96
	COP	W/W	5.50	5.35	5.35	5.10	5.10
Heating (LWT 55°C / OAT 7°C)	Capacity	kW	4.00	6.00	8.00	10.00	10.00
	Power input	kW	1.19	1.82	2.35	3.13	3.13
	COP	W/W	3.35	3.30	3.40	3.20	3.20
Space heating Average climate water outlet 35°C	SCOP	-	5.10	5.10	5.20	5.10	5.10
	ns	%	201	201	205	201	201
	Energy class	-	A+++	A+++	A+++	A+++	A+++
Space heating Average climate water outlet 55°C	SCOP	-	3.85	3.83	3.85	3.83	3.83
	ns	%	151	150	151	150	150
	Energy class	-	A+++	A+++	A+++	A+++	A+++
Cooling (LWT 18°C / OAT 35°C)	Capacity	kW	4.00	6.00	7.50	9.50	9.50
	Power input	kW	0.79	1.20	1.58	2.21	2.21
	EER	-	5.05	5.00	4.75	4.30	4.30
Cooling (LWT 7°C / OAT 35°C)	Capacity	kW	3.50	5.00	6.80	8.50	8.50
	Power input	kW	0.95	1.37	1.97	2.62	2.62
	EER	-	3.70	3.65	3.45	3.25	3.25
<b>Indoor Unit</b>			<b>HU102F20AHYA</b>	<b>HU102F20AHYA</b>	<b>HU102F20AHYA</b>	<b>HU102F20AHYA</b>	<b>HU102F20AHYAE3</b>
Leaving water temperature range	Heating	°C	20-80	20-80	20-80	20-80	20-80
	Cooling	°C	5-25	5-25	5-25	5-25	5-25
Storage temperature range (Tank)	DHW	°C	25-75	25-75	25-75	25-75	25-75
Water piping Connection	Inlet/Outlet (except for DHW)	inch	R 1/R 1	R 1/R 1	R 1/R 1	R 1/R 1	R 1/R 1
	Inlet/Outlet (DHW)	inch	R 3/4	R 3/4	R 3/4	R 3/4	R 3/4
Expansion Tank		L	8	8	8	8	8
Primary circuit	Pressure relief valve	bar	3	3	3	3	3
Power supply		V/ph/Hz	220-240/1/50	220-240/1/50	220-240/1/50	220-240/1/50	220-240/1/50
Max running current*(1)		A	14.1	14.1	14.1	14.1	14.1
Recommended circuit breaker		A	20.0	20.0	20.0	20.0	20.0
DHW Tank	Type	-	2205 duplex stainless steel				
	Tank Volume	L	200	200	200	200	200
	Maximum water pressure limit	bar	7	7	7	7	7
	Tank heater	kW	3	3	3	3	3
Declared load profile		-	L	L	L	L	L
COP*(2)		-	3.3	3.3	3.3	3.3	3.3
Water heating energy efficiency class		-	A+	A+	A+	A+	A+
Backup electric heater	Power supply	V/ph/Hz	220-240/1/50	220-240/1/50	220-240/1/50	220-240/1/50	380-415/3/50
	Capacity	kW	1+2	1+2	1+2	1+2	1+2
	Steps	-	2	2	2	2	2
	Max Running current	A	14.0	14.0	14.0	14.0	5.0
	Recommended circuit breaker	A	20.0	20.0	20.0	20.0	10.0
Sound power level		dB	40	40	40	40	40
Net Dimension	(HxWxD)	mm	1780 × 590 × 590	1780 × 590 × 590	1780 × 590 × 590	1780 × 590 × 590	1780 × 590 × 590
Packaging dimension	(HxWxD)	mm	2060 × 695 × 695	2060 × 695 × 695	2060 × 695 × 695	2060 × 695 × 695	2060 × 695 × 695
Net / Gross weight		kg	115 / 131	115 / 131	115 / 131	115 / 131	115.5 / 131.5
<b>Outdoor Unit</b>			<b>AW042HUGHA</b>	<b>AW062HUGHA</b>	<b>AW082HUGHA</b>	<b>AW102HUGHA</b>	<b>AW10NHUGHA</b>
Outdoor operating temperature range	Heating	°C	-25 ~ 35	-25 ~ 35	-25 ~ 35	-25 ~ 35	-25 ~ 35
	Cooling	°C	10 ~ 48	10 ~ 48	10 ~ 48	10 ~ 48	10 ~ 48
	DHW	°C	-25 ~ 43	-25 ~ 43	-25 ~ 43	-25 ~ 43	-25 ~ 43
Water piping connection	Inlet/Outlet	inch	R 1/R 1	R 1/R 1	R 1/R 1	R 1/R 1	R 1/R 1
Compressor	Quantity	-	1	1	1	1	1
	Type	-	DC inverter twin rotary				
Refrigerant	Type	-	R290				
	Charge/CO2 Eq.	kg/T	0.8/2.4	0.8/2.4	0.9/2.7	0.9/2.7	0.9/2.7
Sound pressure level *(3)		dB(A)	44	47	48	49	49
Sound power level *(3)		dB	55	58	59	60	60
Net Dimension	(HxWxD)	mm	790 × 1250 × 380	790 × 1250 × 380	790 × 1250 × 380	790 × 1250 × 380	790 × 1250 × 380
Packaging dimension	(HxWxD)	mm	1022 × 1395 × 550	1022 × 1395 × 550	1022 × 1395 × 550	1022 × 1395 × 550	1022 × 1395 × 550
Net / Gross weight		kg	86/109	86/109	98/121	98/121	113/136
Power supply		V/ph/Hz	220-240/1/50	220-240/1/50	220-240/1/50	220-240/1/50	380-415/3/50
Max running current		A	13.5	13.5	18.6	18.6	6.2
Recommended circuit breaker		A	16.0	16.0	20.0	20.0	16.0



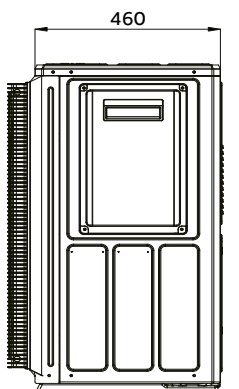
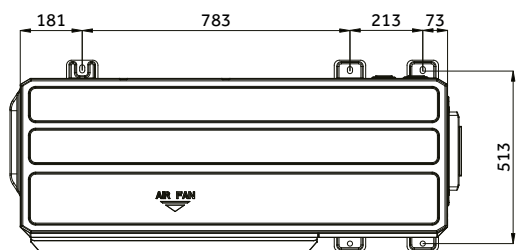
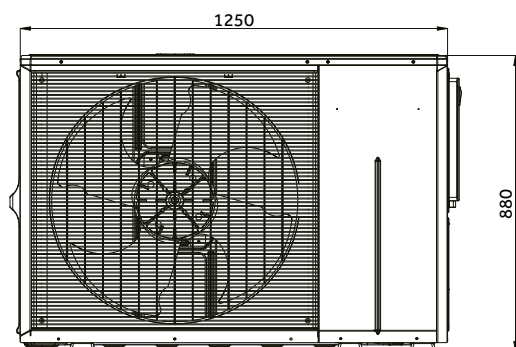
# New HYDRO ALL-IN-ONE GT R290



## Features



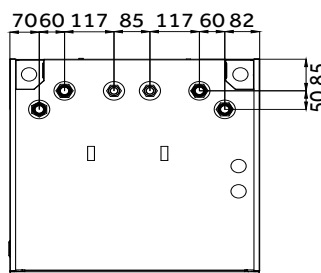
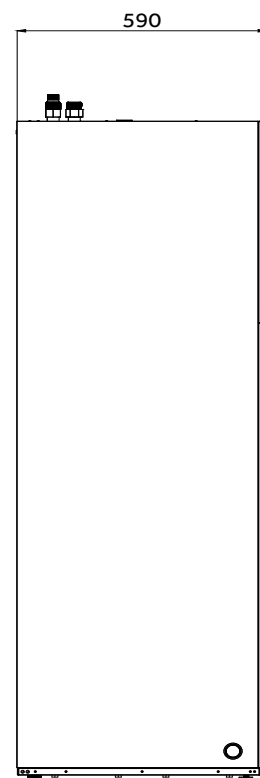
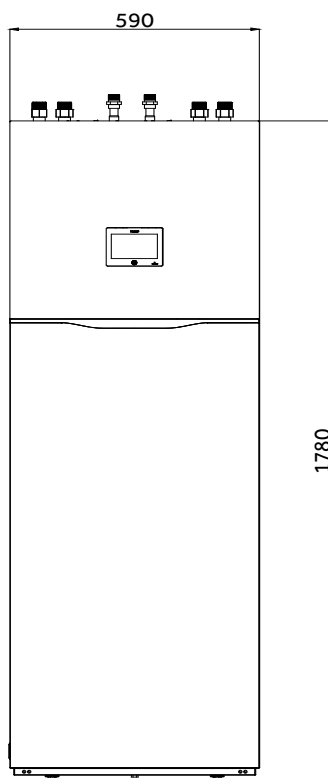
## Technical Illustrations



### HYDRO ALL-IN-ONE

AW122HVGHA  
AW142HVGHA  
AW162HVGHA

AW12NHVGHA  
AW14NHVGHA  
AW16NHVGHA



### HYDRO ALL-IN-ONE

HU102F20AHYA  
HU162F20AHYA

HU102F20AHYAE3  
HU162F20AHYAE3

12 kW

14 kW

16 kW

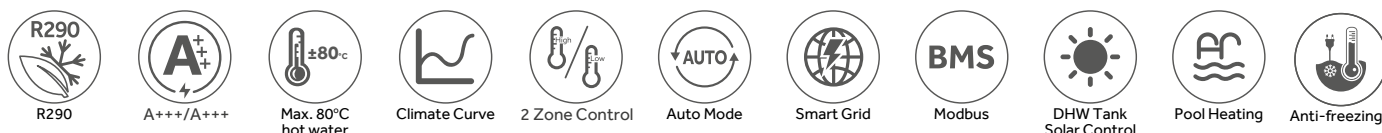
Haier

Model			Hydro All in One 12kW-1Ph	Hydro All in One 14kW-1Ph	Hydro All in One 16kW-1Ph	Hydro All in One 12kW-3Ph	Hydro All in One 14kW-3Ph	Hydro All in One 16kW-3Ph
Heating (LWT 35°C / OAT 7°C)	Capacity	kW	12.00	14.00	16.00	12.00	14.00	16.00
	Power input	kW	2.35	2.83	3.23	2.35	2.83	3.23
	COP	W/W	5.10	4.95	4.95	5.10	4.95	4.95
Heating (LWT 55°C / OAT 7°C)	Capacity	kW	11.50	13.50	15.50	11.50	13.50	15.50
	Power input	kW	3.48	4.22	5.08	3.48	4.22	5.08
	COP	W/W	3.30	3.20	3.05	3.30	3.20	3.05
Space heating Average climate water outlet 35°C	SCOP	-	4.82	4.80	4.80	4.82	4.80	4.80
	ns	%	190	189	189	190	189	189
	Energy class	-	A+++	A+++	A+++	A+++	A+++	A+++
Space heating Average climate water outlet 55°C	SCOP	-	3.85	3.83	3.85	3.85	3.83	3.85
	ns	%	151	150	151	151	150	151
	Energy class	-	A+++	A+++	A+++	A+++	A+++	A+++
Cooling (LWT 18°C / OAT 35°C)	Capacity	kW	11.50	13.50	15.50	11.50	13.50	15.50
	Power input	kW	2.56	3.14	3.88	2.56	3.14	3.88
	EER	-	4.50	4.30	4.00	4.50	4.30	4.00
Cooling (LWT 7°C / OAT 35°C)	Capacity	kW	10.00	12.00	14.00	10.00	12.00	14.00
	Power input	kW	2.99	3.75	4.52	2.99	3.75	4.52
	EER	-	3.35	3.20	3.10	3.35	3.20	3.10
<b>Indoor Unit</b>			<b>HU162F20AHYA</b>	<b>HU162F20AHYA</b>	<b>HU162F20AHYA</b>	<b>HU162F20AHYAE3</b>	<b>HU162F20AHYAE3</b>	<b>HU162F20AHYAE3</b>
Leaving water temperature range	Heating	°C	20-80	20-80	20-80	20-80	20-80	20-80
	Cooling	°C	5-25	5-25	5-25	5-25	5-25	5-25
Storage temperature range (Tank)	DHW	°C	25-75	25-75	25-75	25-75	25-75	25-75
Water piping Connection	Inlet/Outlet (except for DHW)	inch	R 1/R 1	R 1/R 1	R 1/R 1	R 1/R 1	R 1/R 1	R 1/R 1
	Inlet/Outlet (DHW)	inch	R 3/4	R 3/4	R 3/4	R 3/4	R 3/4	R 3/4
Expansion Tank		L	8	8	8	8	8	8
Primary circuit	Pressure relief valve	bar	3	3	3	3	3	3
Power supply		V/ph/Hz	220-240/1/50	220-240/1/50	220-240/1/50	220-240/1/50	220-240/1/50	220-240/1/50
Max running current*(1)		A	15.0	15.0	15.0	15.0	15.0	15.0
Recommended circuit breaker		A	20.0	20.0	20.0	20.0	20.0	20.0
DHW Tank	Type	-	2205 duplex stainless steel					
	Tank Volume	L	200	200	200	200	200	200
	Maximum water pressure limit	bar	7	7	7	7	7	7
	Tank heater	kW	3	3	3	3	3	3
Declared load profile		-	L	L	L	L	L	L
COP*(2)		-	3.5	3.5	3.5	3.3	3.3	3.3
Water heating energy efficiency class		-	A+	A+	A+	A+	A+	A+
Backup electric heater	Power supply	V/ph/Hz	220-240/1/50	220-240/1/50	220-240/1/50	380-415/3/50	380-415/3/50	380-415/3/50
	Capacity	kW	2+4	2+4	2+4	2+4	2+4	2+4
	Steps	-	2	2	2	2	2	2
	Max Running current	A	27.5	27.5	27.5	9.5	9.5	9.5
Recommended circuit breaker		A	40.0	40.0	40.0	16.0	16.0	16.0
		A	40.0	40.0	40.0	16.0	16.0	16.0
Sound power level		dB	42	42	42	42	42	42
Net Dimension	(HxWxD)	mm	1780 × 590 × 590	1780 × 590 × 590	1780 × 590 × 590	1780 × 590 × 590	1780 × 590 × 590	1780 × 590 × 590
Packaging dimension	(HxWxD)	mm	2060 × 695 × 695	2060 × 695 × 695	2060 × 695 × 695	2060 × 695 × 695	2060 × 695 × 695	2060 × 695 × 695
Net / Gross weight		kg	116.5 / 132.5	116.5 / 132.5	116.5 / 132.5	117 / 133	117 / 133	117 / 133
<b>Outdoor Unit</b>			<b>AW122HVGHA</b>	<b>AW142HVGHA</b>	<b>AW162HVGHA</b>	<b>AW12NHVGHA</b>	<b>AW14NHVGHA</b>	<b>AW16NHVGHA</b>
Outdoor operating temperature range	Heating	°C	-25-35	-25-35	-25-35	-25-35	-25-35	-25-35
	Cooling	°C	10-48	10-48	10-48	10-48	10-48	10-48
	DHW	°C	-25-43	-25-43	-25-43	-25-43	-25-43	-25-43
Water piping connection	Inlet/Outlet	inch	R 1/R 1	R 1/R 1	R 1/R 1	R 1/R 1	R 1/R 1	R 1/R 1
Compressor	Quantity	-	1	1	1	1	1	1
	Type	-	DC inverter twin rotary					
Refrigerant	Type	-	R290					
	Charge/CO2 Eq.	kg/T	1.05/3.15	1.05/3.15	1.25/3.75	1.05/3.15	1.05/3.15	1.25/3.75
Sound pressure level *(3)		dB(A)	52	53	55	52	53	55
Sound power level *(3)		dB	63	64	66	63	64	66
Net Dimension	(HxWxD)	mm	880 × 1250 × 460	880 × 1250 × 460	880 × 1250 × 460	880 × 1250 × 460	880 × 1250 × 460	880 × 1250 × 460
Packaging dimension	(HxWxD)	mm	1112 × 1396 × 630	1112 × 1396 × 630	1112 × 1396 × 630	1112 × 1396 × 630	1112 × 1396 × 630	1112 × 1396 × 630
Net / Gross weight		kg	114/140	114/140	123/149	129/155	129/155	138/164
Power supply		V/ph/Hz	220-240/1/50	220-240/1/50	220-240/1/50	380-415/3/50	380-415/3/50	380-415/3/50
Max running current		A	30.6	30.6	34.8	10.2	10.2	11.6
Recommended circuit breaker		A	32.0	32.0	40.0	16.0	16.0	16.0

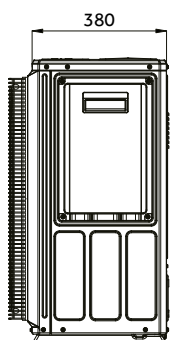
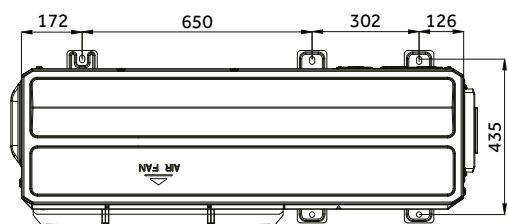
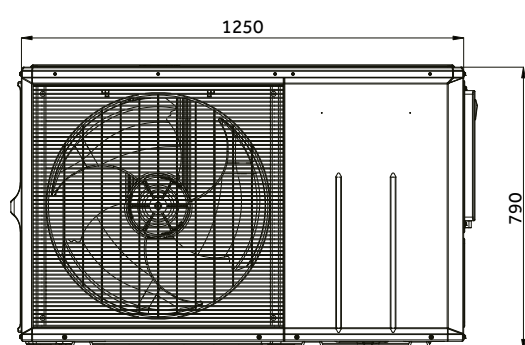
# New HYDRO SPLIT GT R290



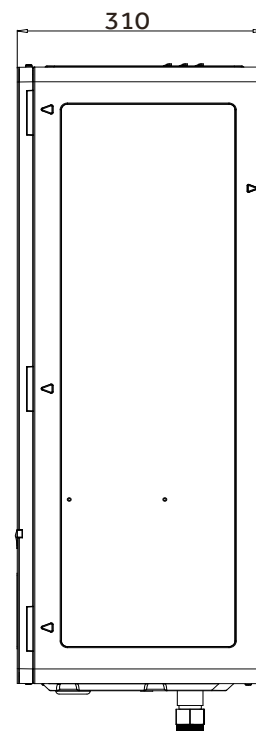
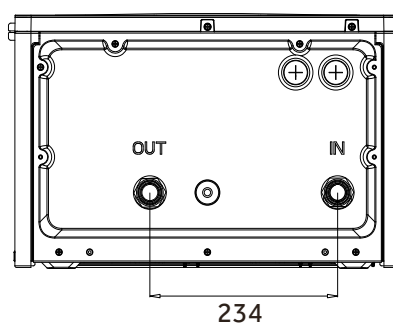
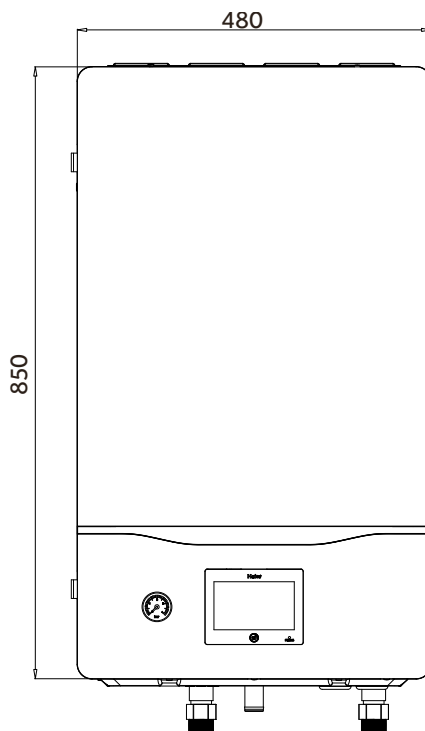
## Features



## Technical Illustrations



**HYDRO SPLIT**  
 AW042HUGHA  
 AW062HUGHA  
 AW082HUGHA  
 AW102HUGHA  
 AW10NHUGHA



**HYDRO SPLIT**  
 HU102WAHYA  
 HU162WAHYA  
 HU10NWAHYAE3  
 HU16NWAHYAE3

4 kW

8 kW

6 kW

10 kW

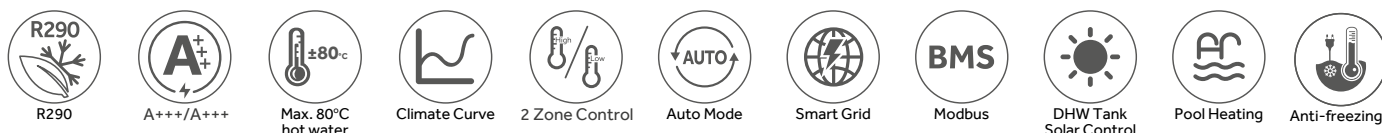
# Haier

Product Data			Hydro Split 4kW-1Ph	Hydro Split 6kW-1Ph	Hydro Split 8kW-1Ph	Hydro Split 10kW-1Ph	Hydro Split 10kW-3Ph
Heating (LWT 35°C / OAT 7°C)	Capacity	kW	4.00	6.00	8.00	10.00	10.00
	Power input	kW	0.73	1.12	1.50	1.96	1.96
	COP	W/W	5.50	5.35	5.35	5.10	5.10
Heating (LWT 55°C / OAT 7°C)	Capacity	kW	4.00	6.00	8.00	10.00	10.00
	Power input	kW	1.19	1.82	2.35	3.13	3.13
	COP	W/W	3.35	3.30	3.40	3.20	3.20
Space heating Average climate water outlet 35°C	SCOP	-	5.10	5.10	5.20	5.10	5.10
	ns	%	201	201	205	201	201
	Energy class	-	A+++	A+++	A+++	A+++	A+++
Space heating Average climate water outlet 55°C	SCOP	-	3.85	3.83	3.85	3.83	3.83
	ns	%	151	150	151	150	150
	Energy class	-	A+++	A+++	A+++	A+++	A+++
Cooling (LWT 18°C / OAT 35°C)	Capacity	kW	4.00	6.00	7.50	9.50	9.50
	Power input	kW	0.79	1.20	1.58	2.21	2.21
	EER	-	5.05	5.00	4.75	4.30	4.30
Cooling (LWT 7°C / OAT 35°C)	Capacity	kW	3.50	5.00	6.80	8.50	8.50
	Power input	kW	0.95	1.37	1.97	2.62	2.62
	EER	-	3.70	3.65	3.45	3.25	3.25
Indoor Unit			HU102WAHYA	HU102WAHYA	HU102WAHYA	HU102WAHYA	HU10NWAHYAE3
Leaving water temperature range	Heating	°C	20-80	20-80	20-80	20-80	20-80
	Cooling	°C	5-25	5-25	5-25	5-25	5-25
Storage temperature range (Tank)	DHW	°C	25-75	25-75	25-75	25-75	25-75
Water piping Connection	Inlet/Outlet	inch	R 1/R 1	R 1/R 1	R 1/R 1	R 1/R 1	R 1/R 1
Expansion Tank		L	8	8	8	8	8
Backup electric heater	Capacity	kW	1+2	1+2	1+2	1+2	1+2
Power supply		V/ph/Hz	220-240/1/50	220-240/1/50	220-240/1/50	220-240/1/50	380-415/3/50
Max running current		A	14.1	14.1	14.1	14.1	5.0
Recommended circuit breaker		A	20.0	20.0	20.0	20.0	10.0
Sound power level		dB	40	40	40	40	40
Net Dimension	(HxWxD)	mm	850 × 480 × 310	850 × 480 × 310	850 × 480 × 310	850 × 480 × 310	850 × 480 × 310
Packaging dimension	(HxWxD)	mm	1020 × 580 × 460	1020 × 580 × 460	1020 × 580 × 460	1020 × 580 × 460	1020 × 580 × 460
Net / Gross weight	HU1*2WAHYA**	kg	35.5 / 49	35.5 / 49	35.5 / 49	35.5 / 49	36 / 49.5
	HU1*2WAHYB**	kg	32.5/46	32.5/46	32.5/46	32.5/46	/
Outdoor Unit			AW042HUGHA	AW062HUGHA	AW082HUGHA	AW102HUGHA	AW10NHUGHA
Outdoor operating temperature range	Heating	°C	-25 -35	-25 -35	-25 -35	-25 -35	-25 -35
	Cooling	°C	10 - 48	10 - 48	10 - 48	10 - 48	10 - 48
	DHW	°C	-25 -43	-25 -43	-25 -43	-25 -43	-25 -43
Water piping connection	Inlet/Outlet	inch	R 1/R 1	R 1/R 1	R 1/R 1	R 1/R 1	R 1/R 1
Compressor	Quantity	-	1	1	1	1	1
	Type	-	DC inverter twin rotary				
Refrigerant	Type	-	R290				
	Charge/CO2 Eq.	kg/T	0.8/2.4	0.8/2.4	0.9/2.7	0.9/2.7	0.9/2.7
Sound pressure level *(1)		dB(A)	44	47	48	49	49
Sound power level *(1)		dB	55	58	59	60	60
Net Dimension	(HxWxD)	mm	790 × 1250 × 380	790 × 1250 × 380	790 × 1250 × 380	790 × 1250 × 380	790 × 1250 × 380
Packaging dimension	(HxWxD)	mm	1022 × 1395 × 550	1022 × 1395 × 550	1022 × 1395 × 550	1022 × 1395 × 550	1022 × 1395 × 550
Net / Gross weight		kg	86/109	86/109	98/121	98/121	113/136
Power supply		V/ph/Hz	220-240/1/50	220-240/1/50	220-240/1/50	220-240/1/50	380-415/3/50
Max running current		A	13.5	13.5	18.6	18.6	6.2
Recommended circuit breaker		A	16.0	16.0	20.0	20.0	16.0

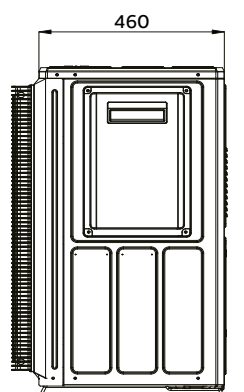
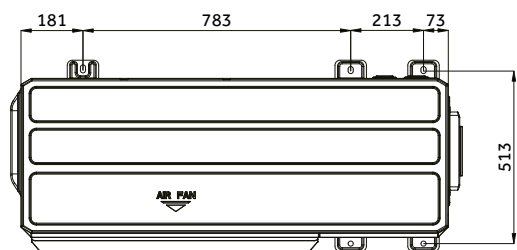
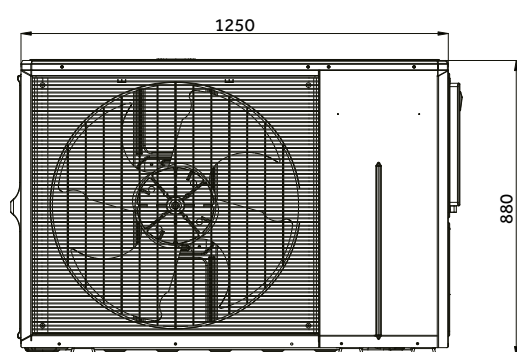
# New HYDRO SPLIT GT R290



## Features

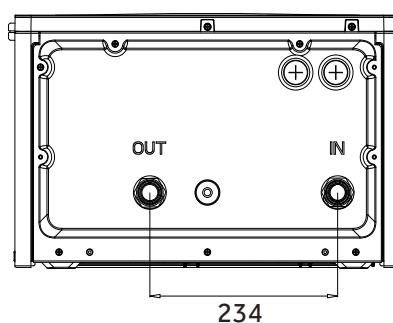
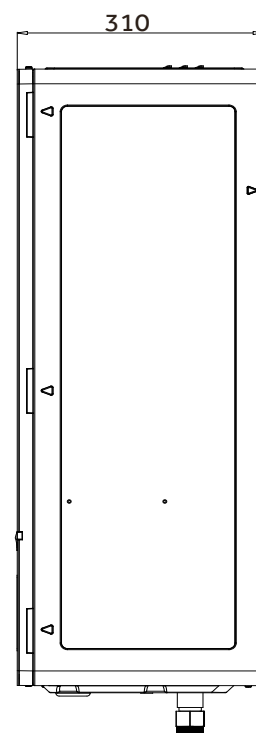
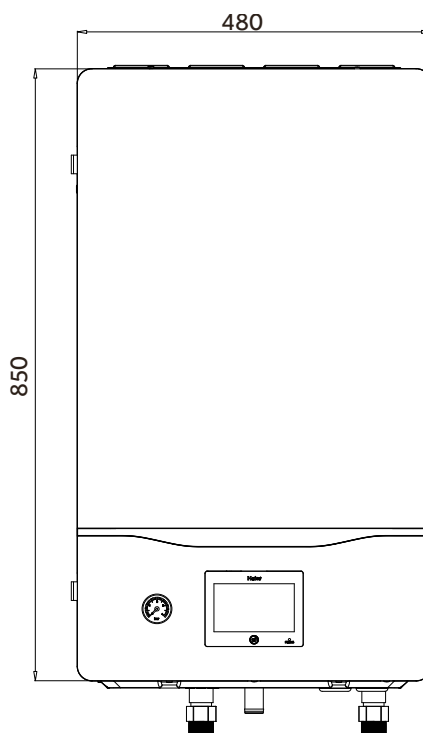


## Technical Illustrations



**HYDRO SPLIT**  
AW122HVGHA  
AW142HVGHA  
AW162HVGHA

AW12NHVGHA  
AW14NHVGHA  
AW16NHVGHA



**HYDRO SPLIT**  
HU102WAHYA  
HU162WAHYA

HU10NWAHYAE3  
HU16NWAHYAE3



12 kW

14 kW

16 kW

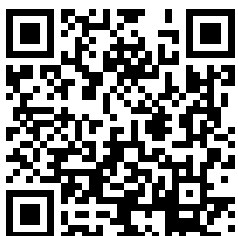
# Haier

Product Data			Hydro Split 12kW-1Ph	Hydro Split 14kW-1Ph	Hydro Split 16kW-1Ph	Hydro Split 12kW-3Ph	Hydro Split 14kW-3Ph	Hydro Split 16kW-3Ph
Heating (LWT 35°C / OAT 7°C)	Capacity	kW	12.00	14.00	16.00	12.00	14.00	16.00
	Power input	kW	2.35	2.83	3.23	2.35	2.83	3.23
	COP	W/W	5.10	4.95	4.95	5.10	4.95	4.95
Heating (LWT 55°C / OAT 7°C)	Capacity	kW	11.50	13.50	15.50	11.50	13.50	15.50
	Power input	kW	3.48	4.22	5.08	3.48	4.22	5.08
	COP	W/W	3.30	3.20	3.05	3.30	3.20	3.05
Space heating Average climate water outlet 35°C	SCOP	-	4.82	4.80	4.80	4.82	4.80	4.80
	ns	%	190	189	189	190	189	189
	Energy class	-	A+++	A+++	A+++	A+++	A+++	A+++
Space heating Average climate water outlet 55°C	SCOP	-	3.85	3.83	3.85	3.85	3.83	3.85
	ns	%	151	150	151	151	150	151
	Energy class	-	A+++	A+++	A+++	A+++	A+++	A+++
Cooling (LWT 18°C / OAT 35°C)	Capacity	kW	11.50	13.50	15.50	11.50	13.50	15.50
	Power input	kW	2.56	3.14	3.88	2.56	3.14	3.88
	EER	-	4.50	4.30	4.00	4.50	4.30	4.00
Cooling (LWT 7°C / OAT 35°C)	Capacity	kW	10.00	12.00	14.00	10.00	12.00	14.00
	Power input	kW	2.99	3.75	4.52	2.99	3.75	4.52
	EER	-	3.35	3.20	3.10	3.35	3.20	3.10
<b>Indoor Unit</b>			<b>HU162WAHYA</b>	<b>HU162WAHYA</b>	<b>HU162WAHYA</b>	<b>HU16NWAHYAE3</b>	<b>HU16NWAHYAE3</b>	<b>HU16NWAHYAE3</b>
Leaving water temperature range	Heating	°C	20-80	20-80	20-80	20-80	20-80	20-80
	Cooling	°C	5-25	5-25	5-25	5-25	5-25	5-25
Storage temperature range (Tank)	DHW	°C	25-75	25-75	25-75	25-75	25-75	25-75
Water piping Connection	Inlet/Outlet	inch	R 1/R 1	R 1/R 1	R 1/R 1	R 1/R 1	R 1/R 1	R 1/R 1
Expansion Tank		L	8	8	8	8	8	8
Backup electric heater	Capacity	kW	2+4	2+4	2+4	2+4	2+4	2+4
Power supply	V/ph/Hz		220-240/1/50	220-240/1/50	220-240/1/50	380-415/3/50	380-415/3/50	380-415/3/50
Max running current	A		28.2	28.2	28.2	9.5	9.5	9.5
Recommended circuit breaker	A		40.0	40.0	40.0	16.0	16.0	16.0
Sound power level		dB	42	42	42	42	42	42
Net Dimension	HxWxD	mm	850 × 480 × 310	850 × 480 × 310	850 × 480 × 310	850 × 480 × 310	850 × 480 × 310	850 × 480 × 310
Packaging dimension	HxWxD	mm	1020 × 580 × 460	1020 × 580 × 460	1020 × 580 × 460	1020 × 580 × 460	1020 × 580 × 460	1020 × 580 × 460
Net / Gross weight	HU1*2WAHYA**	kg	37 / 50.5	37 / 50.5	37 / 50.5	37.5 / 51	37.5 / 51	37.5 / 51
	HU1*2WAHYB**	kg	34/47.5	34/47.5	34/47.5	34.5/48	34.5/48	34.5/48
<b>Outdoor Unit</b>			<b>AW122HVGHA</b>	<b>AW142HVGHA</b>	<b>AW162HVGHA</b>	<b>AW12NHVGHA</b>	<b>AW14NHVGHA</b>	<b>AW16NHVGHA</b>
Outdoor operating temperature range	Heating	°C	-25 -35	-25 -35	-25 -35	-25 -35	-25 -35	-25 -35
	Cooling	°C	10 - 48	10 - 48	10 - 48	10 - 48	10 - 48	10 - 48
	DHW	°C	-25 -43	-25 -43	-25 -43	-25 -43	-25 -43	-25 -43
Water piping connection	Inlet/Outlet	inch	R 1/R 1	R 1/R 1	R 1/R 1	R 1/R 1	R 1/R 1	R 1/R 1
Compressor	Quantity	-	1	1	1	1	1	1
	Type	-	DC inverter twin rotary					
Refrigerant	Type	-	R290					
	Charge/CO2 Eq.	kg/T	1.05/3.15	1.05/3.15	1.25/3.75	1.05/3.15	1.05/3.15	1.25/3.75
Sound pressure level *(1)		dB(A)	52	53	55	52	53	55
Sound power level *(1)		dB	63	64	66	63	64	66
Net Dimension	HxWxD	mm	880 × 1250 × 460	880 × 1250 × 460	880 × 1250 × 460	880 × 1250 × 460	880 × 1250 × 460	880 × 1250 × 460
Packaging dimension	HxWxD	mm	1112 × 1396 × 630	1112 × 1396 × 630	1112 × 1396 × 630	1112 × 1396 × 630	1112 × 1396 × 630	1112 × 1396 × 630
Net / Gross weight		kg	114/140	114/140	123/149	129/155	129/155	138/164
Power supply		V/ph/Hz	220-240/1/50	220-240/1/50	220-240/1/50	380-415/3/50	380-415/3/50	380-415/3/50
Max running current		A	30.6	30.6	34.8	10.2	10.2	11.6
Recommended circuit breaker		A	32.0	32.0	40.0	16.0	16.0	16.0

**Haier**  
Heating



# R290 A2W Range



**Haier HVAC**  
haierhvac.eu